

PSA-10401L/1169



Directional Antenna

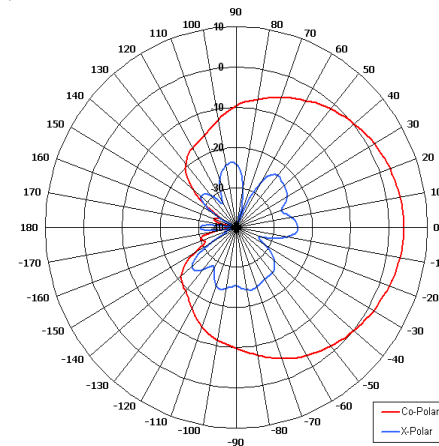
The most important thing we build is trust

Designed for Electronic Warfare Applications

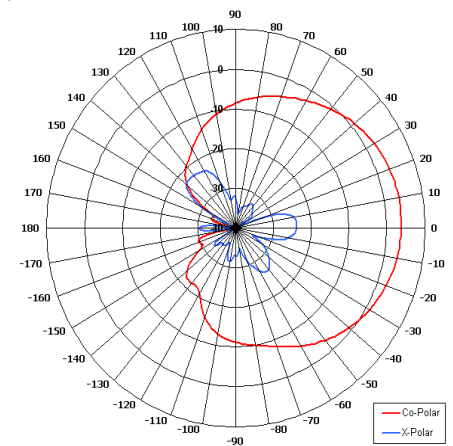
Wide Band

Pattern - Directional

Left Hand Circular Polarised

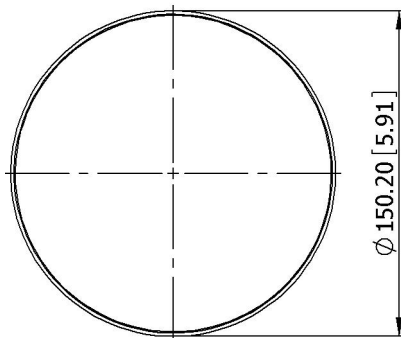


Azimuth Pattern

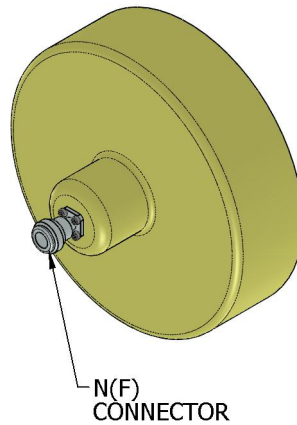
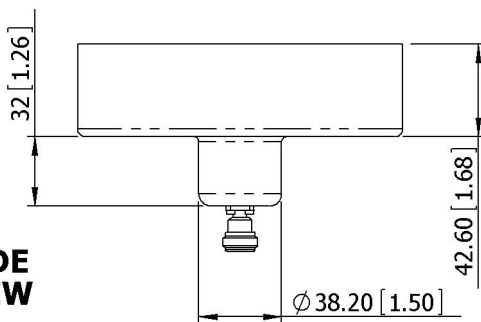


Elevation Pattern

FRONT VIEW



SIDE VIEW



GA: 1169

ELECTRICAL

Frequency	1.00 - 4.00 GHz
Gain	4-6 dBiC Nom
Polarisation	Left Hand Circular
Beamwidth	90° (Az) x 90° (El) Approx
Axial Ratio	1 dB Typ
VSWR	2:1
Power Rating	20 W
Front to Back	20 dB

MECHANICAL

Standard Finish	Gloss White Radome
Mass	325 g (0.7 lbs)
Temperature	-20° to +50°C
Wind Loading	1.4 Kg (3.1 lbs) 100mph

MOUNTING OPTIONS

Kits Available	N/A
See separate data sheets	

ADDITIONAL NOTES

Issued 091210

European Antennas Limited trading as Cobham Antenna Systems, Microwave Antennas

European Antennas Limited has a policy of continuous development and stress that the information provided is a guide only and does not constitute an offer or contract or part thereof. Whilst every effort is made to ensure the accuracy of the information contained in this brochure, no responsibility can be accepted for any errors or omissions.

The copyright of antenna designs and images is copyright protected and owned by European Antennas Limited.
©European Antennas Limited

For further information please contact:

Cobham Antenna Systems, Microwave Antennas
Lambda House, Cheveley,
Newmarket, Suffolk CB8 9RG, UK.
Tel +44 (0)1638 732 177
Fax +44 (0) 1638 731999
Email newmarket.sales@cobham.com