

# SA10-40R/1052

# COBHAM

## Sector Antenna

The most important thing we build is trust

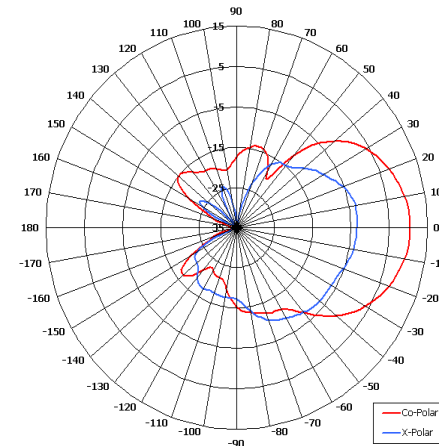
Designed for Commercial Applications

Right Hand Circular Polarised

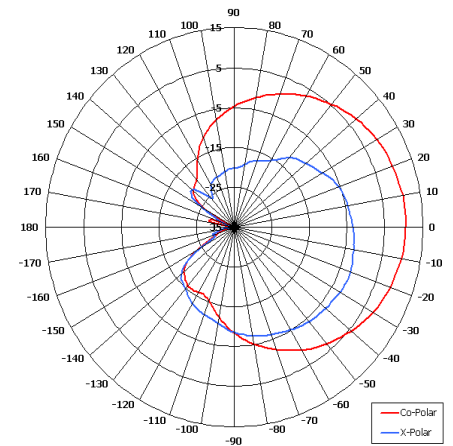
Low Profile

Compact

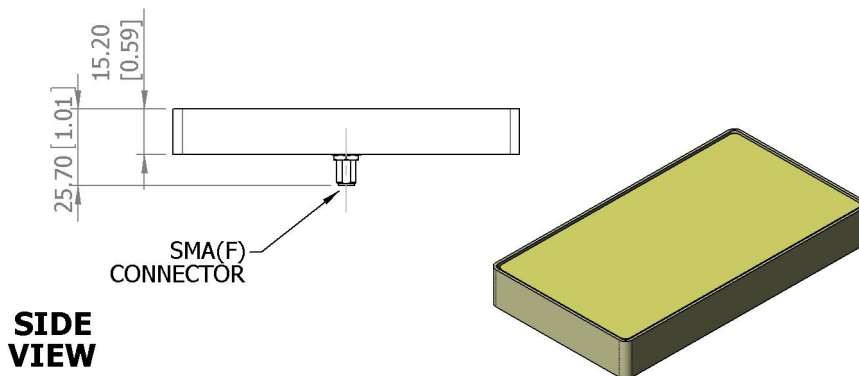
Other Polarisations Available



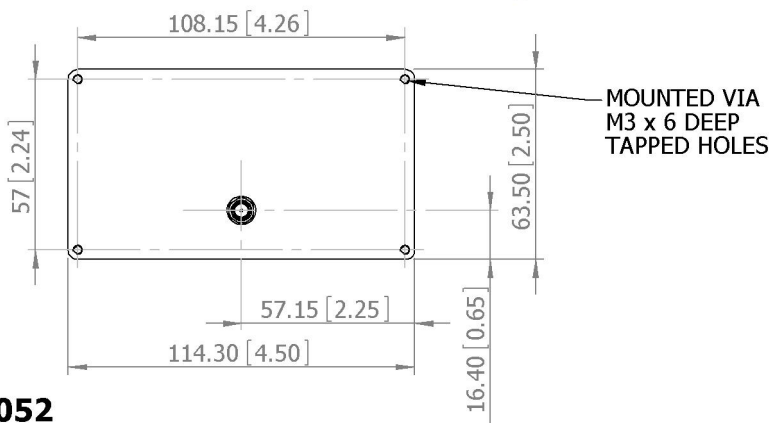
Azimuth Pattern



Elevation Pattern



**SIDE VIEW**



**BASE VIEW**

**GA: 1052**

### ELECTRICAL

Frequency	3.70 - 4.20 GHz
Gain	10 dBiC Nom
Polarisation	Right Hand Circular
Beamwidth	70° (Az) x 40° (El) Approx
Axial Ratio	4 dB Typ across HPBW
VSWR	1.5:1
Power Rating	20 W
Front to Back	30 dB Min

### MECHANICAL

Standard Finish	Alocrom 1200, Chassis, Unpainted Radome
Mass	160 g (0.35 lbs) Approx
Temperature	-20° to +50° C
Wind Loading	1.18 Kg (2.6 lbs) @ 100mph

### MOUNTING OPTIONS

Kits Available	N/A
See separate data sheets	

### ADDITIONAL NOTES

Issued 140111

European Antennas Limited trading as Cobham Antenna Systems, Microwave Antennas

European Antennas Limited has a policy of continuous development and stress that the information provided is a guide only and does not constitute an offer or contract or part thereof. Whilst every effort is made to ensure the accuracy of the information contained in this brochure, no responsibility can be accepted for any errors or omissions.

The copyright of antenna designs and images is copyright protected and owned by European Antennas Limited.  
©European Antennas Limited

For further information please contact:

Cobham Antenna Systems, Microwave Antennas  
Lambda House, Cheveley,  
Newmarket, Suffolk CB8 9RG, UK.  
Tel +44 (0)1638 732 177  
Fax +44 (0) 1638 731999  
Email [newmarket.sales@cobham.com](mailto:newmarket.sales@cobham.com)