

SA15-90-104V-D1/1124

COBHAM

Sector Antenna

The most important thing we build is trust

Designed for Broadcast Applications

High Gain

High Frequency

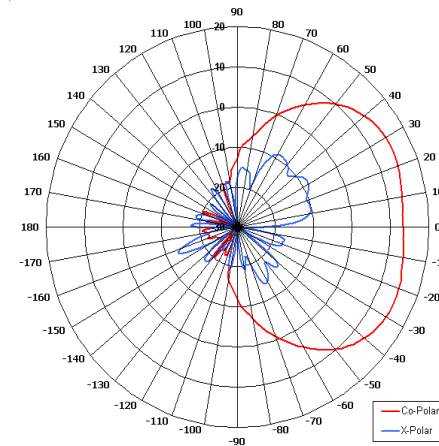
Vertical Polarisation

Low Profile

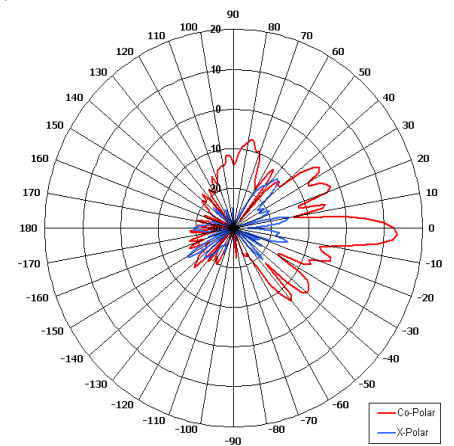
Lightweight

Conforms to ETSI EN 302 085 V1.1.2

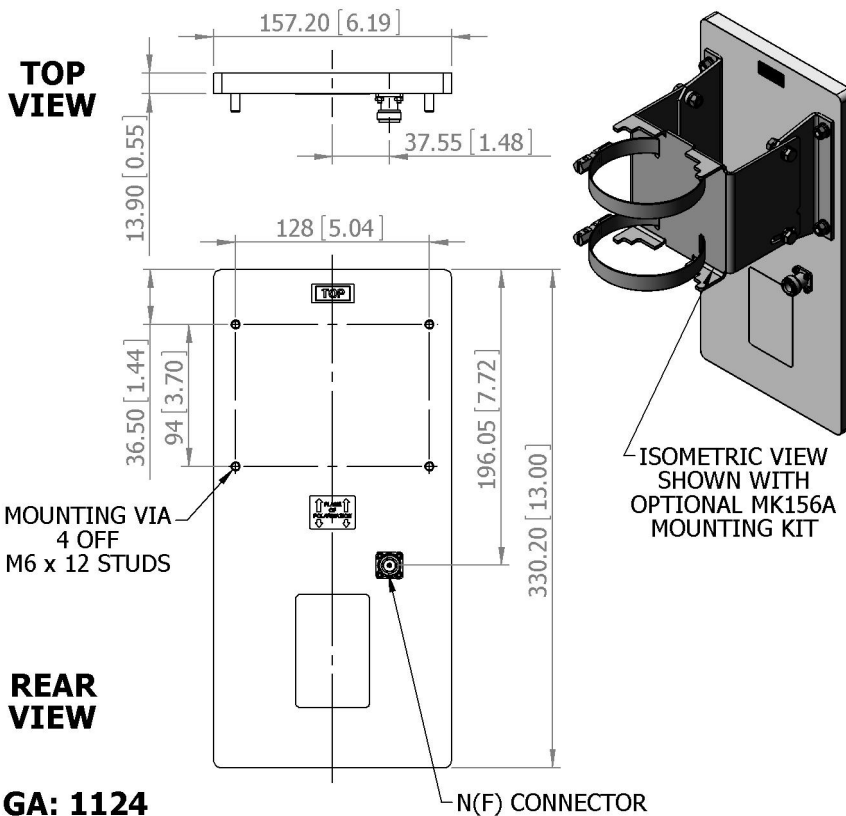
Class CS 2 Asymmetric Elevation Pattern



Azimuth Pattern



Elevation Pattern



GA: 1124

ELECTRICAL

Frequency	10.10 - 10.65 GHz
Gain	15.0 dBi Nom
Polarisation	Linear (Vertical)
Beamwidth	84-87° (Az) x 7° (El) Approx
Cross Polar	ETSI CS2 Compliant
VSWR	1.5:1
Power Rating	10 W
Front to Back	>30 dB

MECHANICAL

Standard Finish	RAL 9002, Semi Spatter
Mass	0.9 Kg (2.0 lbs)
Temperature	-45° to +65°C
Wind Loading	9.22 Kg (20.30 lbs) @ 100mph

MOUNTING OPTIONS

Kits Available	MK156A
----------------	--------

See separate data sheets

ADDITIONAL NOTES

Issued 041110

European Antennas Limited trading as Cobham Antenna Systems, Microwave Antennas

European Antennas Limited has a policy of continuous development and stress that the information provided is a guide only and does not constitute an offer or contract or part thereof. Whilst every effort is made to ensure the accuracy of the information contained in this brochure, no responsibility can be accepted for any errors or omissions.

The copyright of antenna designs and images is copyright protected and owned by European Antennas Limited.
©European Antennas Limited

For further information please contact:

Cobham Antenna Systems, Microwave Antennas

Lambda House, Cheveley,

Newmarket, Suffolk CB8 9RG, UK.

Tel +44 (0)1638 732 177

Fax +44 (0) 1638 731999

Email antennasystems.ma@cobham.com