



# EUROPEAN ANTENNAS

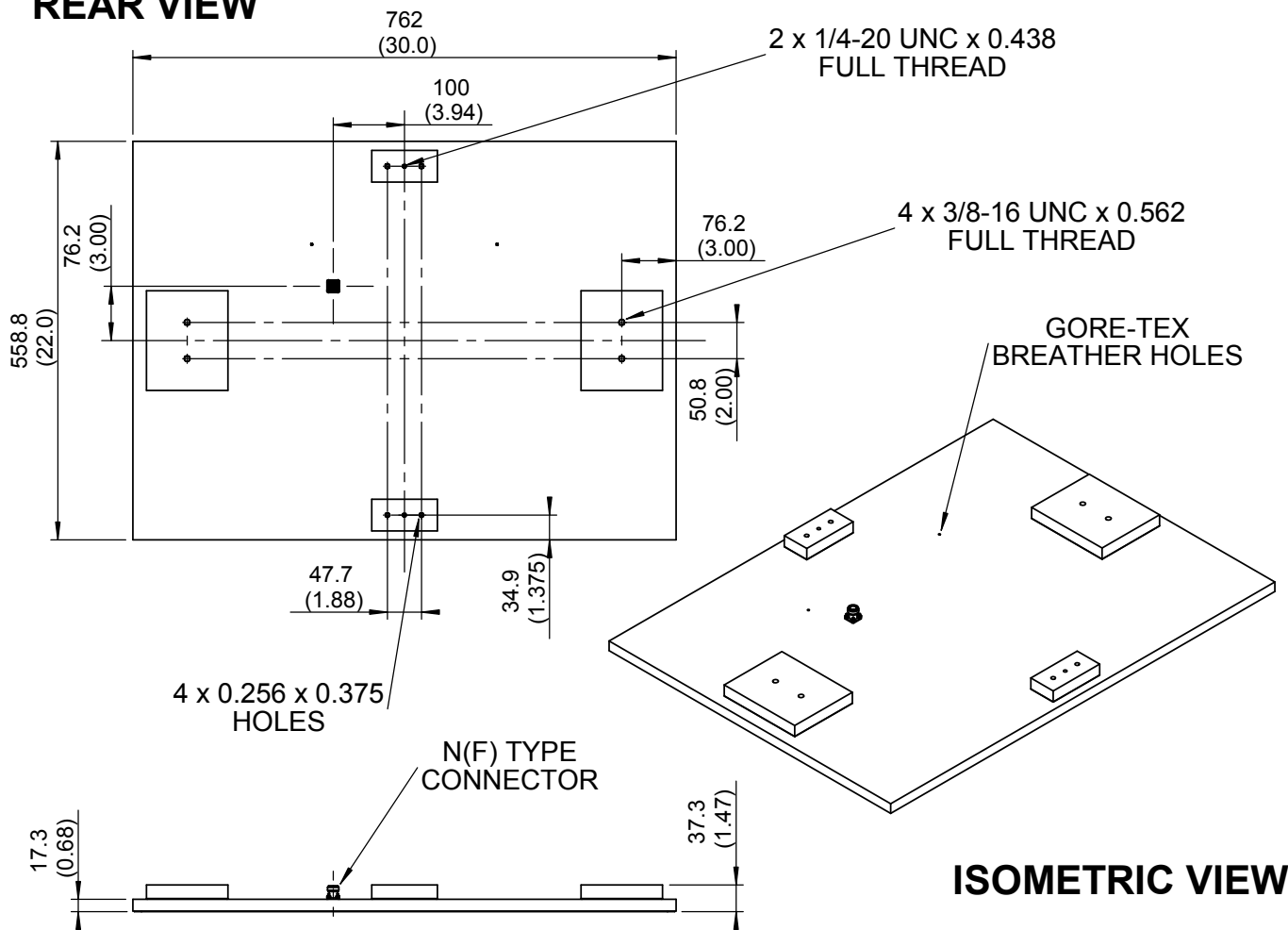
Excellence through design  
Creative in concept

## FLAT PANEL ANTENNA

### MODEL: FPA15-916H/1159

<b>FREQUENCY:</b>	902 - 930 MHz	<b>GAIN:</b>	15.4 dBi Typical
<b>POLARISATION:</b>	Linear (Horizontal)	<b>BEAMWIDTH:</b>	24° (Az.) x 31° (El.) Approx.
<b>CROSS POLAR:</b>	>25 dB	<b>VSWR:</b>	1.3:1 Typ, 1.5 : 1 Max.
<b>POWER RATING:</b>	10 W Max	<b>FRONT TO BACK:</b>	>22 dB
<b>TEMPERATURE:</b>	-40° to +55°C	<b>MASS:</b>	6.5 Kg / 14.3 lbs
<b>FINISH:</b>	Alocrom Chassis, White Radome	<b>WIND LOADING:</b>	69 Kg / 151 lbs @ 100 mph

### REAR VIEW



### ISOMETRIC VIEW

### SIDE VIEW

DIMENSIONS: mm (inches)	H
GA: 1159 - 1	Issued: 260804

EUROPEAN ANTENNAS LTD.

Tel: +44 (0)1638 731888  
Fax: +44 (0)1638 731999

LAMBDA HOUSE, CHEVELEY  
NEWMARKET, SUFFOLK, CB8 9RG,  
UNITED KINGDOM

E-Mail: sales@european-antennas.co.uk  
Website: www.european-antennas.co.uk