



EUROPEAN ANTENNAS

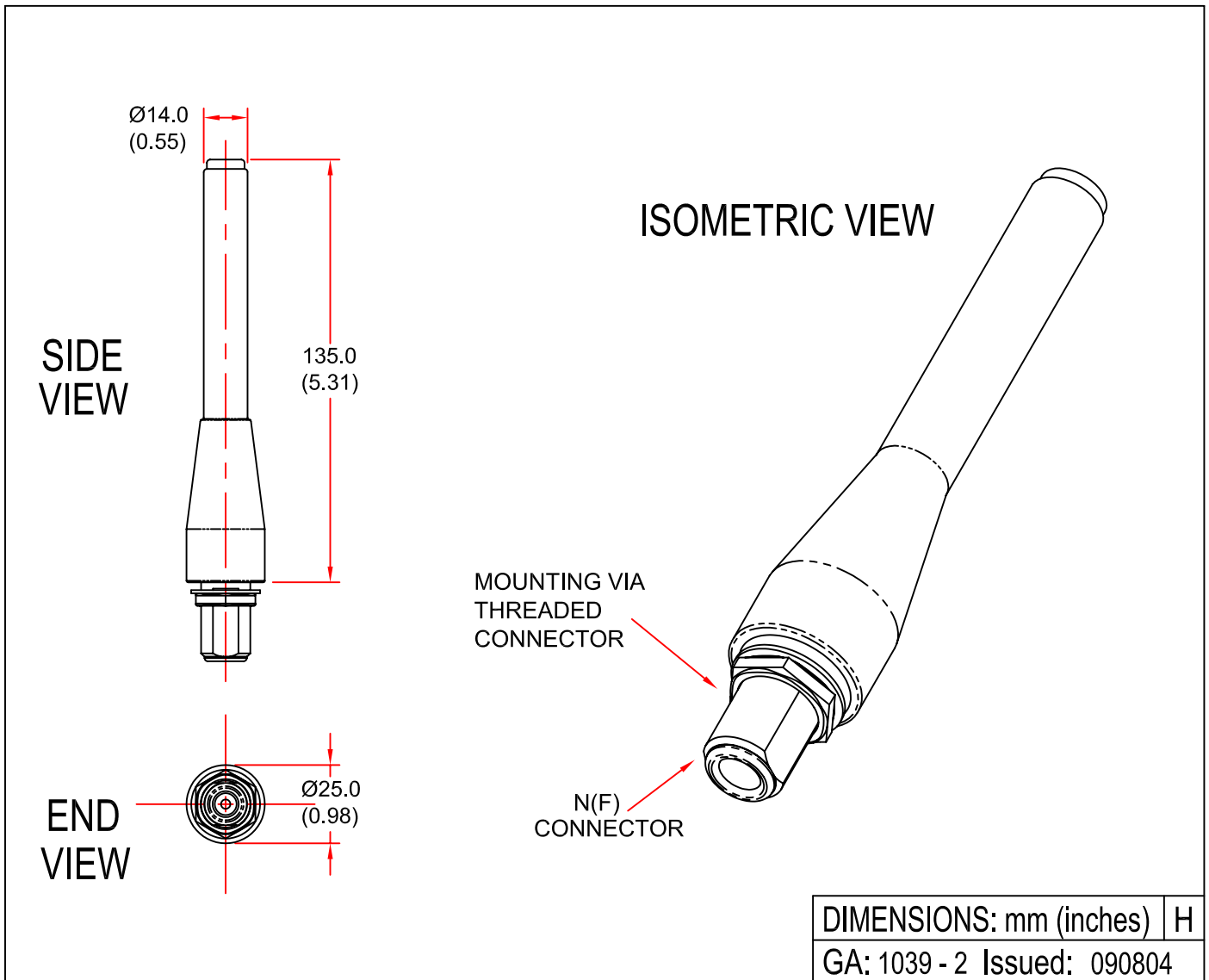
Excellence through design
Creative in concept



RUGGED DIPOLE ANTENNA

MODEL: EVD2-38/1039

FREQUENCY:	3.6 - 4.0 GHz	GAIN:	2 dBi
POLARISATION:	Linear (Vertical)	BEAMWIDTH:	360° (Azimuth) x 80° (Elevation)
CROSS POLAR:	25 dB Typical	VSWR:	1.5:1
POWER RATING:	20 W	FRONT TO BACK:	N/A
TEMPERATURE:	-20° to + 50°C	MASS:	70 g / 2.8 oz
FINISH:	Matt Black	WIND LOADING:	0.5 Kg / 1.0 lbs @ 100 mph



EUROPEAN ANTENNAS LTD.

LAMBDA HOUSE, CHEVELEY,
NEWMARKET, SUFFOLK, CB8 9RG,
UNITED KINGDOM.

TEL: +44 (0)1638 731888
FAX: +44 (0)1638 731999

E-Mail: sales@european-antennas.co.uk
Website: www.european-antennas.co.uk