



# EUROPEAN ANTENNAS

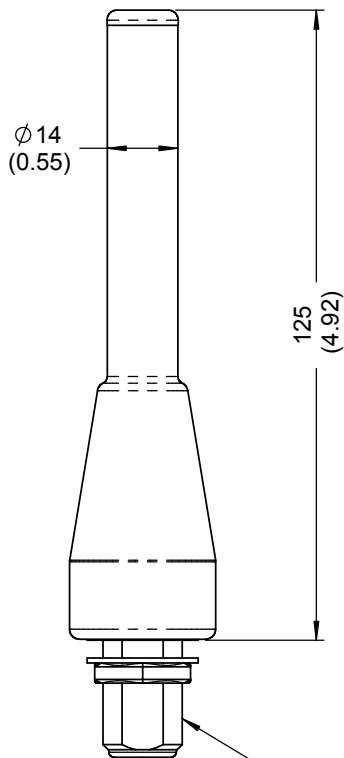
Excellence through design  
Creative in concept

## EXTRA RUGGED DIPOLE ANTENNA

### MODEL: EVD2-2450-D3/1129

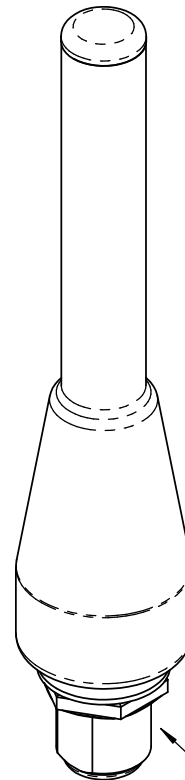
<b>FREQUENCY:</b>	2.35 - 2.55 GHz	<b>GAIN:</b>	2 dBi Nominal.
<b>POLARISATION:</b>	Linear (Vertical)	<b>BEAMWIDTH:</b>	360° (Az.) x 80° (El.)
<b>CROSS POLAR:</b>	15 - 20 dB Typical	<b>VSWR:</b>	2:1 Maximum
<b>POWER RATING:</b>	10 W	<b>FRONT TO BACK:</b>	N/A
<b>TEMPERATURE:</b>	-20° to +50°C	<b>MASS:</b>	77g / 2.7 oz
<b>FINISH:</b>	Matt Black	<b>WIND LOADING:</b>	350 g / 0.77 lbs @ 100 mph

**SIDE  
VIEW**



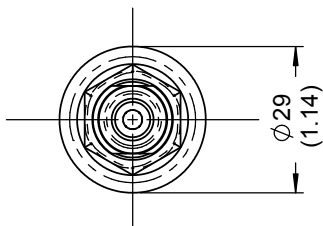
N(F) TYPE  
CONNECTOR

**ISOMETRIC  
VIEW**



MOUNTED VIA  
CONNECTOR

**BOTTOM  
VIEW**



DIMENSIONS: mm (inches) | L

GA: 1129 - 1 Issued: 290304

EUROPEAN ANTENNAS LTD.

Tel: +44 (0)1638 731888  
Fax: +44 (0)1638 731999

LAMBDA HOUSE, CHEVELEY  
NEWMARKET, SUFFOLK, CB8 9RG,  
UNITED KINGDOM

E-Mail: [sales@european-antennas.co.uk](mailto:sales@european-antennas.co.uk)  
Website: [www.european-antennas.co.uk](http://www.european-antennas.co.uk)