



EUROPEAN ANTENNAS

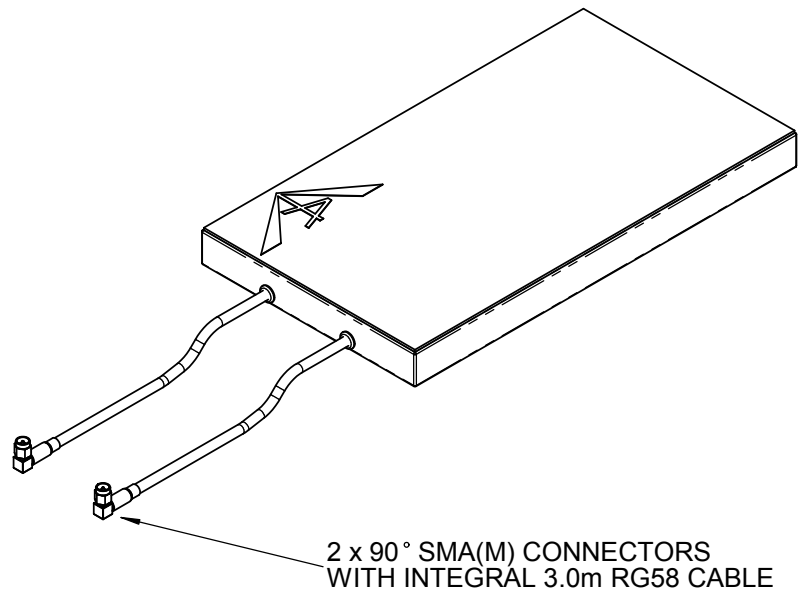
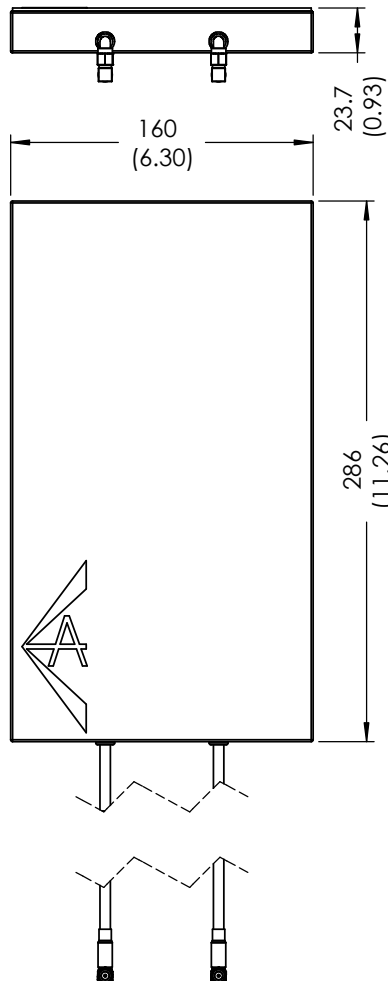
Excellence through design
Creative in concept

DUAL LOW PROFILE ANTENNA

MODEL: DLPA4-850R-1945R/1071

FREQUENCY:	805-895 MHz & 1895-1990 MHz	GAIN:	4.0 dBiC (GSM) & 5.0 dBiC (DCS)
POLARISATION:	2 x Right Hand Circular	BEAMWIDTH: (Az x El)	80° x 60° (GSM), 60° x 45° (DCS) Approx
AXIAL RATIO:	5 dB Typical	VSWR:	2.0:1
POWER RATING:	20 W	FRONT TO BACK:	20dB Typical
TEMPERATURE:	-20°C to +50°C	MASS:	850 g / 1.87 lbs
FINISH:	Matt Black	WIND LOADING:	5.5 Kg / 12.2 lbs @ 100 mph

END VIEW



ISOMETRIC VIEW

FRONT VIEW

DIMENSIONS: mm (inches)	M
GA: 1071-1	Issued: 080104

EUROPEAN ANTENNAS LTD.

LAMBDA HOUSE, CHEVELEY
NEWMARKET, SUFFOLK, CB8 9RG,
UNITED KINGDOM

Tel: +44 (0)1638 731888
Fax: +44 (0)1638 731999

E-Mail: sales@european-antennas.co.uk
Website: www.european-antennas.co.uk