



EUROPEAN ANTENNAS

Excellence through design
Creative in concept

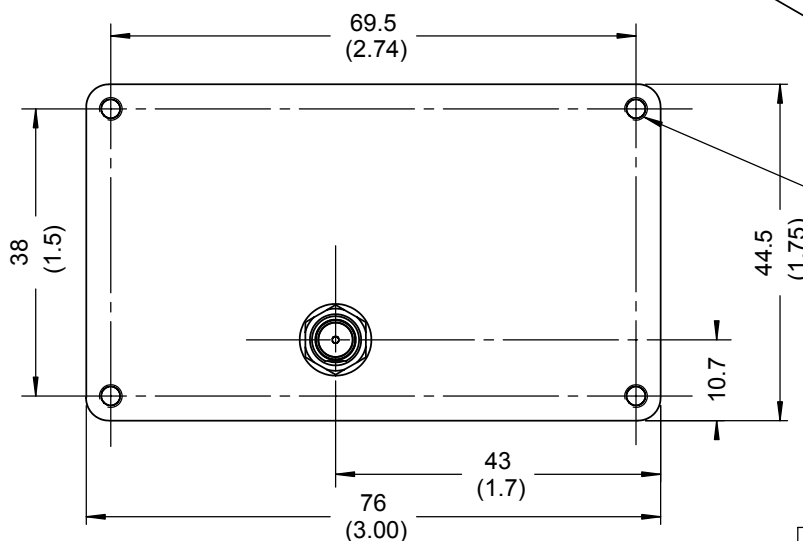
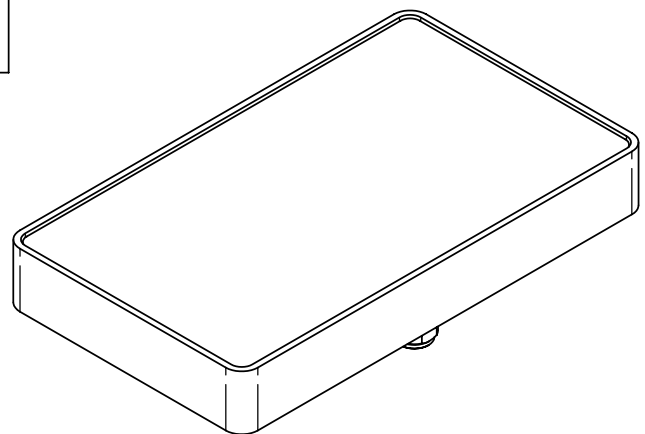
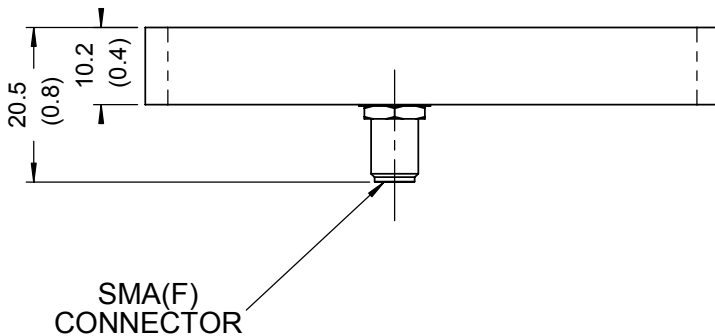
SECTOR ANTENNA

MODEL: SA10-62L/1054

FREQUENCY:	5.9 - 6.45 GHz	GAIN:	10 dBiC Nominal
POLARISATION:	Left Hand Circular	BEAMWIDTH:	70° (Az.) x 35° (El.) Approx
AXIAL RATIO:	3 dB Typical	VSWR:	1.5 : 1
POWER RATING:	20 W	FRONT TO BACK:	30 dB Minimum
TEMPERATURE:	-20° to +50°C	MASS:	40g / 1.41 oz
FINISH:	Black Chassis, Unpainted Radome	WIND LOADING:	0.54 Kg / 1.2 lbs @ 100 mph

TOP VIEW

PICTORIAL VIEW



MOUNTED VIA
M3 x 4.5 TAPPED HOLES
WITH HELICOIL INSERTS

REAR VIEW

DIMENSIONS: mm (inches)	M
GA: 1054-1	Issued: 110903

EUROPEAN ANTENNAS LTD.

Tel: +44 (0)1638 731888
Fax: +44 (0)1638 731999

LAMBDA HOUSE, CHEVELEY
NEWMARKET, SUFFOLK, CB8 9RG,
UNITED KINGDOM

E-Mail: sales@european-antennas.co.uk
Website: www.european-antennas.co.uk