



EUROPEAN ANTENNAS

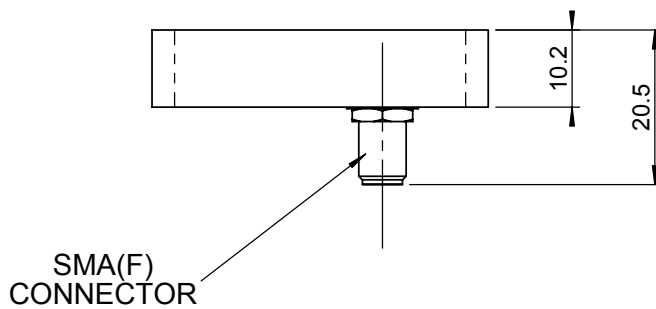
Excellence through design
Creative in concept

LOW PROFILE ANTENNA

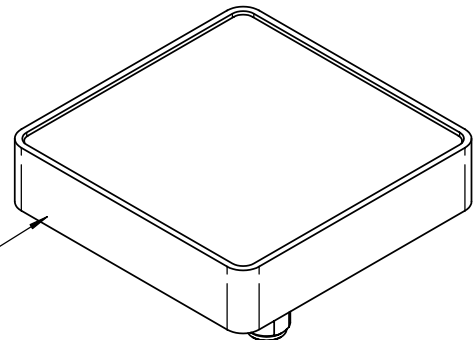
MODEL: LPA7-62L/1053

FREQUENCY:	5.90 - 6.45 GHz	GAIN:	7 dBiC Nominal
POLARISATION:	Left Hand Circular	BEAMWIDTH:	70° (Az.) x 70° (El.) Approx
AXIAL RATIO:	3 dB Typical	VSWR:	1.5 : 1
POWER RATING:	20 W	FRONT TO BACK:	25 dB Minimum
TEMPERATURE:	-20° to +50°C	MASS:	20g / 0.71 oz
FINISH:	Black Chassis, Unpainted Radome	WIND LOADING:	0.32 Kg / 0.71 lbs @ 100 mph

TOP VIEW

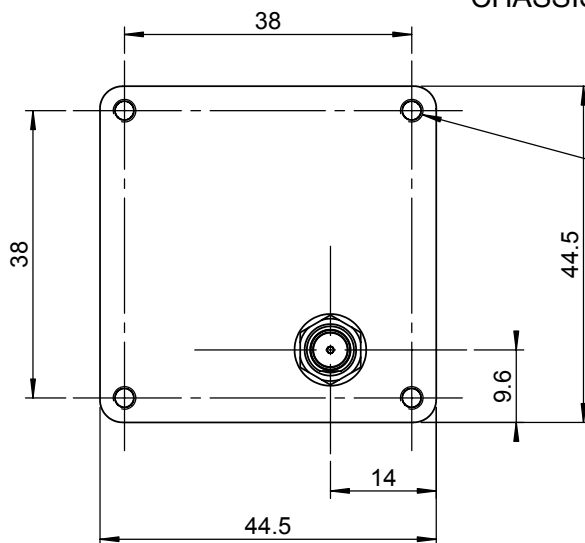


ISOMETRIC VIEW



BLACK PLASTIC CHASSIS

MOUNTED VIA
M3 x 5 DEEP
TAPPED HOLES
WITH HELICOIL INSERTS



REAR VIEW

DIMENSIONS: mm (inches) | M

GA: 1053-1 Issued: 090903

EUROPEAN ANTENNAS LTD.

Tel: +44 (0)1638 731888
Fax: +44 (0)1638 731999

LAMBDA HOUSE, CHEVELEY
NEWMARKET, SUFFOLK, CB8 9RG,
UNITED KINGDOM

E-Mail: sales@european-antennas.co.uk
Website: www.european-antennas.co.uk