



# EUROPEAN ANTENNAS

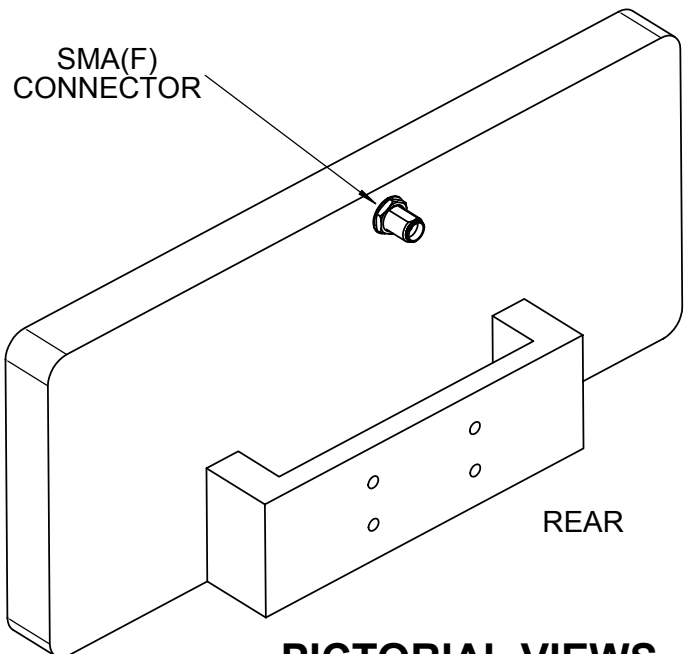
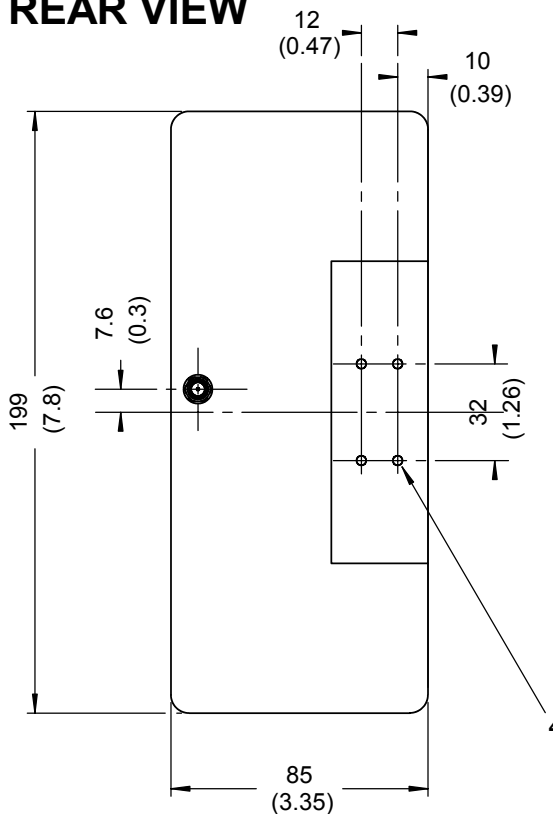
Excellence through design  
Creative in concept

## SECTOR ANTENNA

### MODEL: SA11-25R/1055

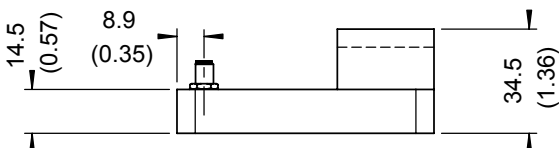
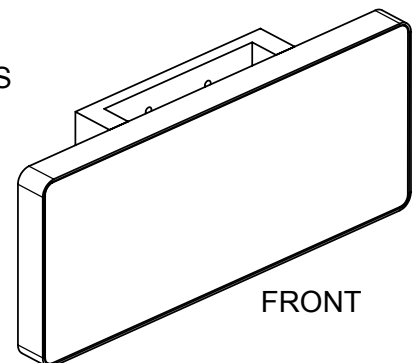
<b>FREQUENCY:</b>	2.45 - 2.7 GHz	<b>GAIN:</b>	11 dBiC Nominal
<b>POLARISATION:</b>	Right Hand Circular	<b>BEAMWIDTH:</b>	35° (Az.) x 70° (El.) Approx
<b>AXIAL RATIO:</b>	1.5 dB Typical	<b>VSWR:</b>	1.5 : 1
<b>POWER RATING:</b>	5 W	<b>FRONT TO BACK:</b>	30 dB Minimum
<b>TEMPERATURE:</b>	-20° to +50°C	<b>MASS:</b>	400g / 0.88 lbs Approx.
<b>FINISH:</b>	Alocrom 1200 Chassis, White Radome	<b>WIND LOADING:</b>	2.74 Kg / 6.03 lbs @ 100 mph

### REAR VIEW



### PICTORIAL VIEWS

MOUNTED VIA  
4 OFF  $\phi 3.2$  (0.13) HOLES



### END VIEW

DIMENSIONS: mm (inches) | M

GA: 1055-1 Issued: 120903

EUROPEAN ANTENNAS LTD.

Tel: +44 (0)1638 731888  
Fax: +44 (0)1638 731999

LAMBDA HOUSE, CHEVELEY  
NEWMARKET, SUFFOLK, CB8 9RG,  
UNITED KINGDOM

E-Mail: [sales@european-antennas.co.uk](mailto:sales@european-antennas.co.uk)  
Website: [www.european-antennas.co.uk](http://www.european-antennas.co.uk)

European Antennas Ltd. has a policy of continuous development and therefore stress that the data contained on this sheet should be used for guidance only.