



EUROPEAN ANTENNAS

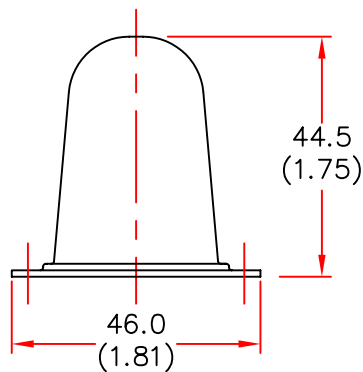


BLADE ANTENNA

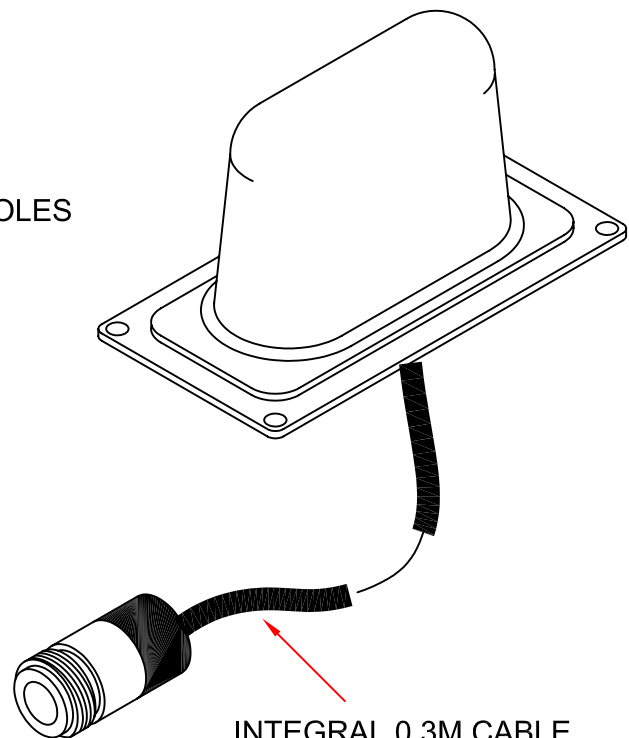
MODEL: HDA-1800-502-D3/1001

FREQUENCY: 1.71 - 1.88 GHz	GAIN: 3 dBi Nom.
POLARISATION: Linear (Vertical)	BEAMWIDTH: 142° (Az) x 72° (El)
CROSS POLAR: N/A	VSWR: 2 : 1
POWER RATING: 5 W	FRONT TO BACK: N/A
TEMPERATURE: -20°C to +50°C	MASS: 100 g/4 oz
RADOME: Gloss White/ABS	WIND LOADING: N/A

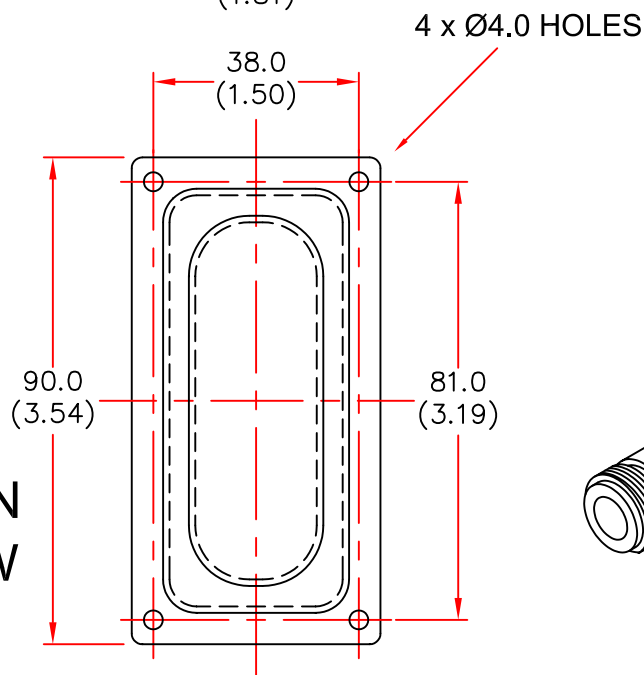
SIDE VIEW



ISOMETRIC VIEW



PLAN VIEW



DIMENSIONS: mm (inches)	M
GA 1001 - 1	Issued 281002

EUROPEAN ANTENNAS LTD.

TEL: +44 (0)1638 731888
FAX: +44 (0)1638 731999

LAMBDA HOUSE, CHEVELEY,
NEWMARKET, SUFFOLK, CB8 9RG,
UNITED KINGDOM.

E-Mail: sales@european-antennas.co.uk
Website: www.european-antennas.co.uk