

MSA6-15-46L/879

COBHAM

Multi Sector Antenna

The most important thing we build is trust

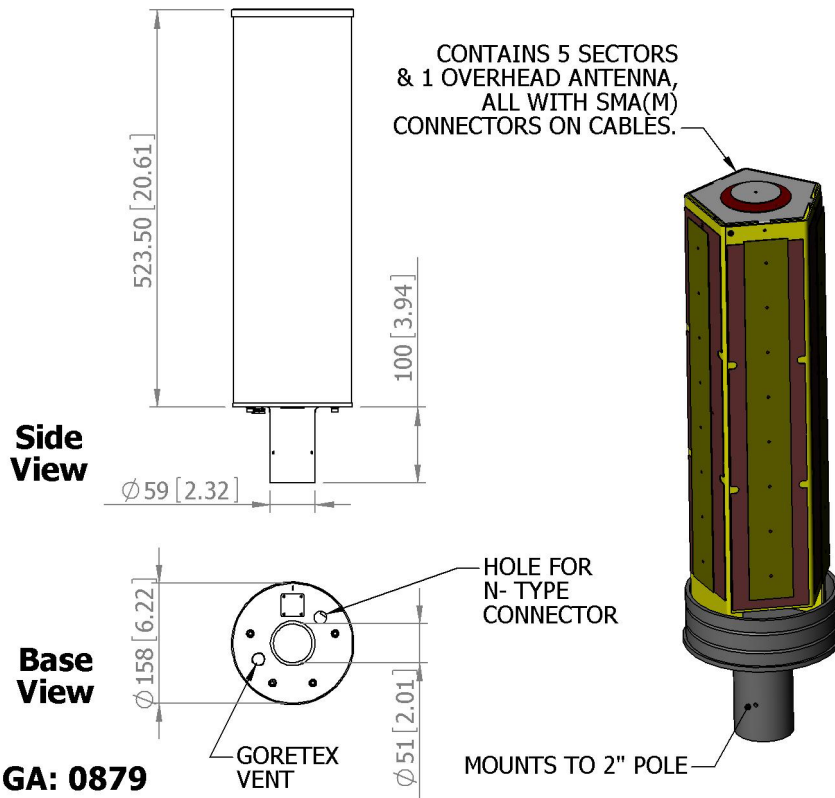
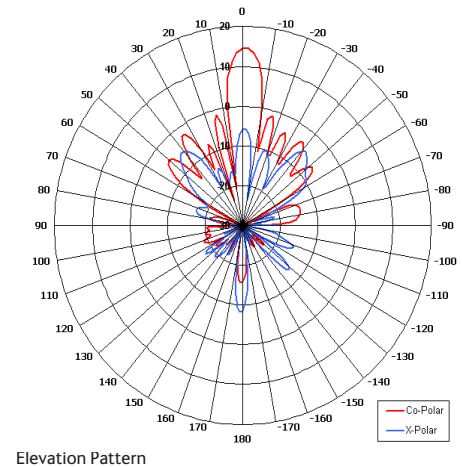
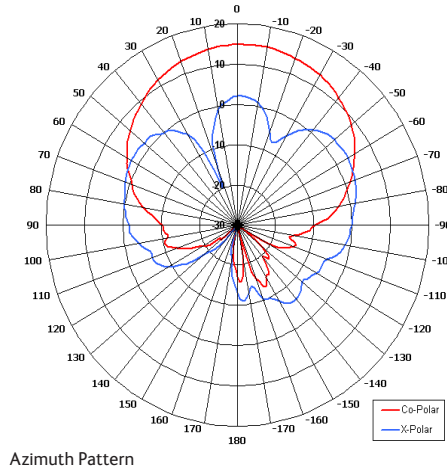
Suitable for Ground to Air Links

High Gain

Pattern - Omni Directional

Suitable for Telemetry Applications

Simple Installation



ELECTRICAL

| | |
|---------------|---|
| Frequency | 4.40 - 4.80 GHz |
| Gain | 15.0 dBiC (Sectors) 8.5 dBiC (Overhead) |
| Polarisation | Left Hand Circular |
| Beamwidth | 70° x 8.4° (Sectors) 60° x 55° (Overhead) |
| Axial Ratio | 3 dB Typical |
| VSWR | 1.5:1 |
| Power Rating | 10W |
| Front to Back | >20 dB (Sectors) |

MECHANICAL

| | |
|-----------------|---------------------------|
| Standard Finish | Gloss White/Glass Fibre |
| Mass | 3.5 Kg (7.7 lbs) |
| Temperature | -20° to +50°C |
| Wind Loading | 13.5 Kg(29.7lbs) @ 100mph |

MOUNTING OPTIONS

| | |
|--------------------------|-----|
| Kits Available | N/A |
| See separate data sheets | |

ADDITIONAL NOTES

Issued 070510

European Antennas Limited trading as Cobham Antenna Systems, Microwave Antennas

European Antennas Limited has a policy of continuous development and stress that the information provided is a guide only and does not constitute an offer or contract or part thereof. Whilst every effort is made to ensure the accuracy of the information contained in this brochure, no responsibility can be accepted for any errors or omissions.

The copyright of antenna designs and images is copyright protected and owned by European Antennas Limited.
 ©European Antennas Limited

For further information please contact:

Cobham Antenna Systems, Microwave Antennas
 Lambda House, Cheveley,
 Newmarket, Suffolk CB8 9RG, UK.
 Tel +44 (0)1638 732 177
 Fax +44 (0) 1638 731999
 Email newmarket.sales@cobham.com