

SA14-24R-D1/969

COBHAM

Sector Antenna

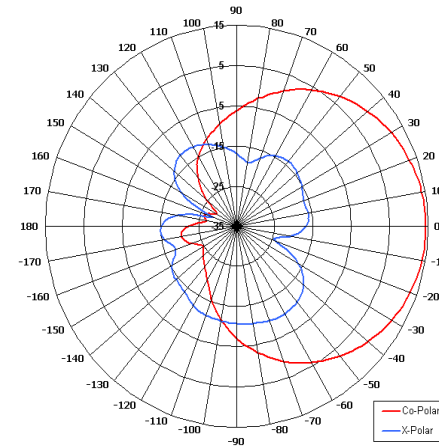
The most important thing we build is trust

Designed for WLAN Applications

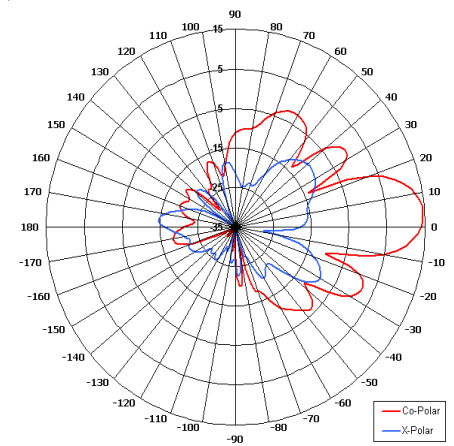
Right Hand Circular Polarised

Low Profile

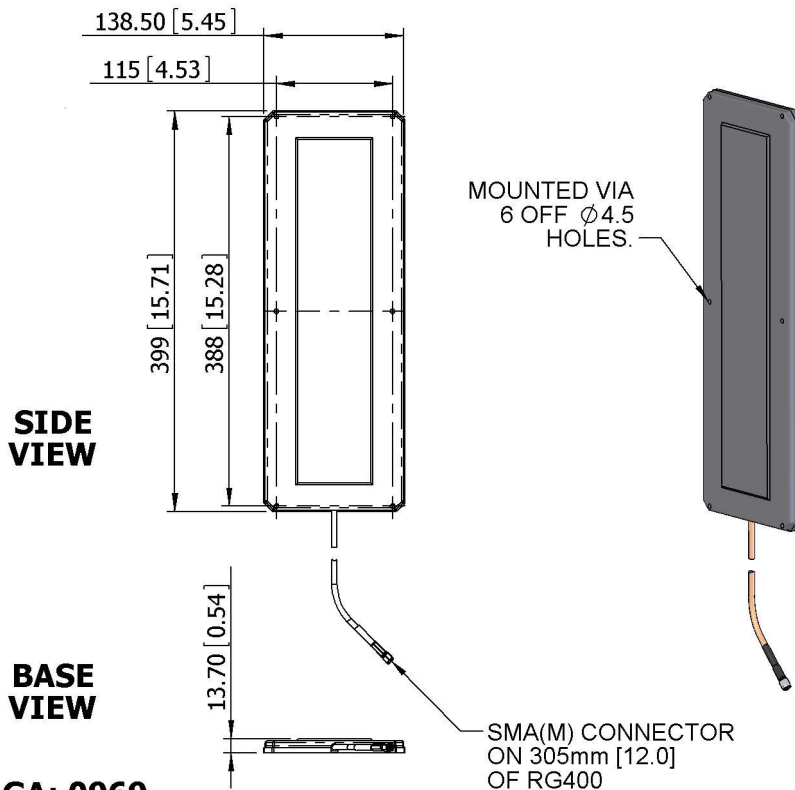
Integrated Cable Options



Azimuth Pattern



Elevation Pattern



ELECTRICAL

| | |
|---------------|-------------------------------|
| Frequency | 2.40 - 2.50 GHz |
| Gain | 13 dBiC Nom (including cable) |
| Polarisation | Right Hand Circular |
| Beamwidth | 65° (Az) x 20° (El) Approx |
| Axial Ratio | 2 - 3 dB |
| VSWR | 1.5:1 Typ, 2:1 Min |
| Power Rating | 5 W |
| Front to Back | 30 dB |

MECHANICAL

| | |
|-----------------|----------------------------|
| Standard Finish | Grey Moulded Polymer |
| Mass | 0.65 Kg (1.43 lbs) |
| Temperature | -25° to +50°C |
| Wind Loading | 9.0 Kg (19.9 lbs) @ 100mph |

MOUNTING OPTIONS

| | |
|----------------|-----|
| Kits Available | N/A |
|----------------|-----|

See separate data sheets

ADDITIONAL NOTES

Issued 261110

European Antennas Limited trading as Cobham Antenna Systems, Microwave Antennas

European Antennas Limited has a policy of continuous development and stress that the information provided is a guide only and does not constitute an offer or contract or part thereof. Whilst every effort is made to ensure the accuracy of the information contained in this brochure, no responsibility can be accepted for any errors or omissions.

The copyright of antenna designs and images is copyright protected and owned by European Antennas Limited.
©European Antennas Limited

For further information please contact:

Cobham Antenna Systems, Microwave Antennas

Lambda House, Cheveley,

Newmarket, Suffolk CB8 9RG, UK.

Tel +44 (0)1638 732 177

Fax +44 (0) 1638 731999

Email newmarket.sales@cobham.com