

LC06-4600-D2/918

COBHAM

Omni Antenna

The most important thing we build is trust

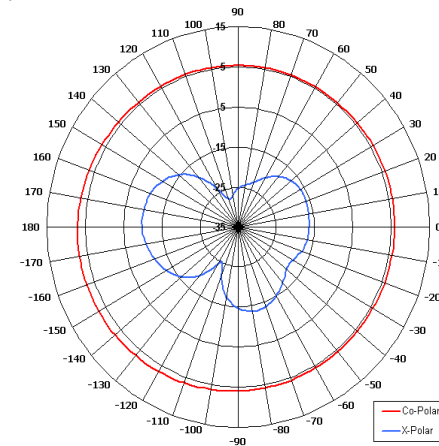
Designed for Security Applications

Left Hand Circular Polarised

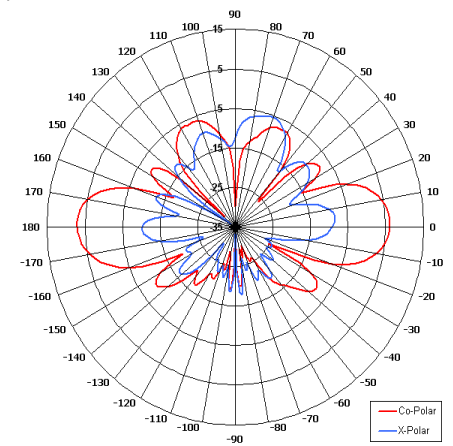
High Gain

Designed for Air to Ground Telemetry Link

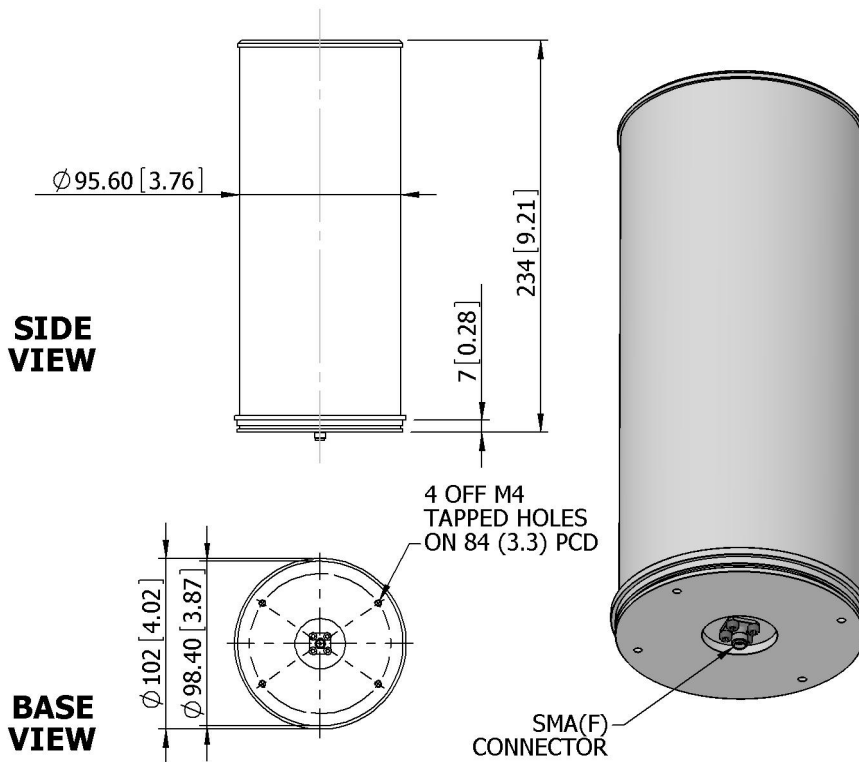
Mounting Options



Azimuth Pattern



Elevation Pattern



GA: 0918

ELECTRICAL

Frequency	4.40 - 4.80 GHz
Gain	6.5 dBi Peak
Polarisation	Left Hand Circular
Beamwidth	360° (Az) x 22° (El) Approx
VSWR	1.5:1 Typ, 1.7:1 Max
Power Rating	10 W

MECHANICAL

Standard Finish	Gloss White
Mass	0.67 Kg (1.474 lbs)
Temperature	-20° to +50°C
Wind Loading	3.52 Kg (7.75 lbs) @ 100mph

MOUNTING OPTIONS

Kits Available	N/A
See separate data sheets	

ADDITIONAL NOTES

Issued 021210

For further information please contact:

Cobham Antenna Systems, Microwave Antennas
 Lambda House, Cheveley,
 Newmarket, Suffolk CB8 9RG, UK.
 Tel +44 (0)1638 732 177
 Fax +44 (0) 1638 731999
 Email newmarket.sales@cobham.com

European Antennas Limited trading as Cobham Antenna Systems, Microwave Antennas

European Antennas Limited has a policy of continuous development and stress that the information provided is a guide only and does not constitute an offer or contract or part thereof. Whilst every effort is made to ensure the accuracy of the information contained in this brochure, no responsibility can be accepted for any errors or omissions.

The copyright of antenna designs and images is copyright protected and owned by European Antennas Limited.
 ©European Antennas Limited