

SA13-24V-D1/905

COBHAM

Sector Antenna

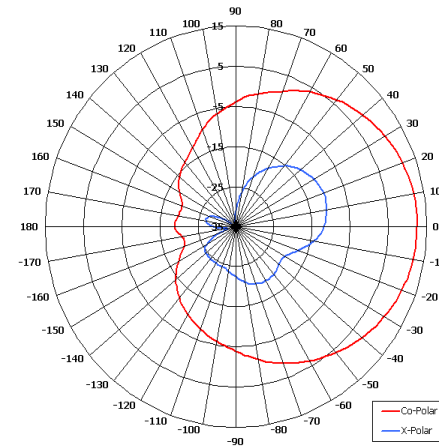
The most important thing we build is trust

Designed for WLAN Applications

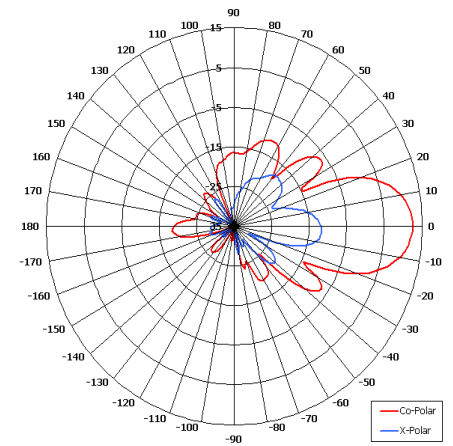
Suitable for Multiple Applications

Heavy Duty

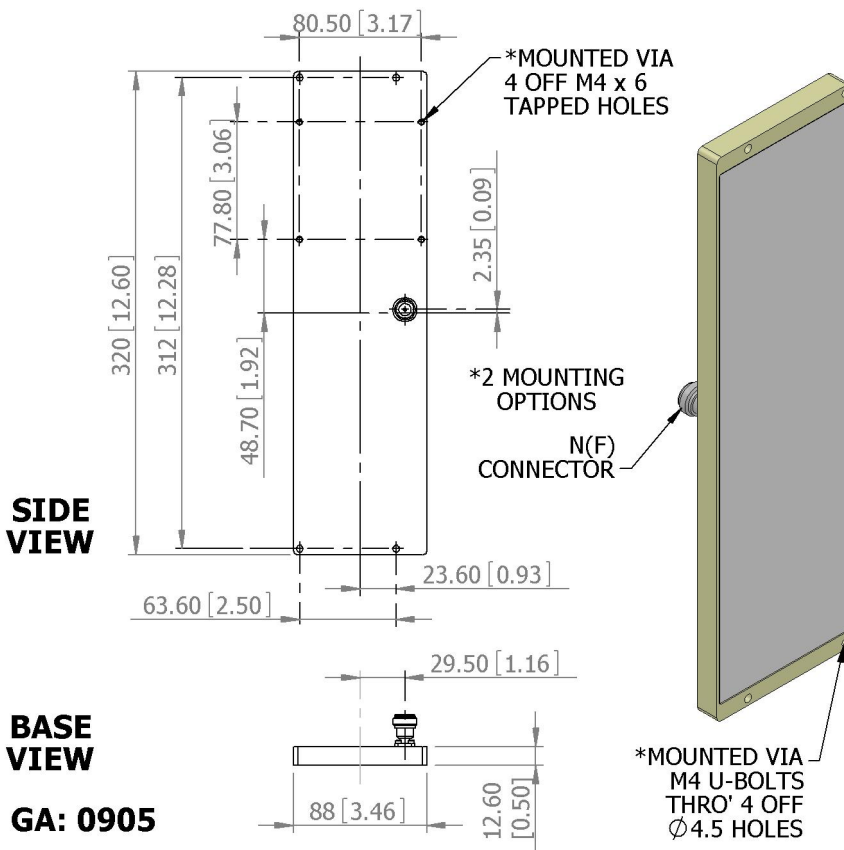
Compact



Azimuth Pattern



Elevation Pattern



SIDE VIEW

BASE VIEW

GA: 0905

ELECTRICAL

Frequency	2.35 - 2.55 GHz
Gain	13 dBi Nom
Polarisation	Linear (Vertical)
Beamwidth	80° (Az) x 20° (El) Approx
Cross Polar	20 dB Typ
VSWR	1.5:1
Power Rating	10 W
Front to Back	30 dB

MECHANICAL

Standard Finish	Matt Black
Mass	1 Kg (2.2 lbs)
Temperature	-20° to +50°C
Wind Loading	4.4 Kg (9.6 lbs) @ 100mph

MOUNTING OPTIONS

Kits Available	MK 9
See separate data sheets	

ADDITIONAL NOTES

Issued 021210

European Antennas Limited trading as Cobham Antenna Systems, Microwave Antennas

European Antennas Limited has a policy of continuous development and stress that the information provided is a guide only and does not constitute an offer or contract or part thereof. Whilst every effort is made to ensure the accuracy of the information contained in this brochure, no responsibility can be accepted for any errors or omissions.

The copyright of antenna designs and images is copyright protected and owned by European Antennas Limited.
©European Antennas Limited

For further information please contact:

Cobham Antenna Systems, Microwave Antennas

Lambda House, Cheveley,

Newmarket, Suffolk CB8 9RG, UK.

Tel +44 (0)1638 732 177

Fax +44 (0) 1638 731999

Email newmarket.sales@cobham.com