



EUROPEAN ANTENNAS

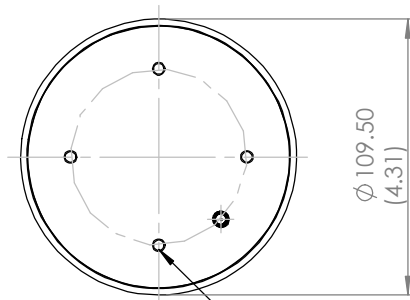
Excellence through design
Creative in concept

CIRCULARLY POLARISED OMNI ANTENNA

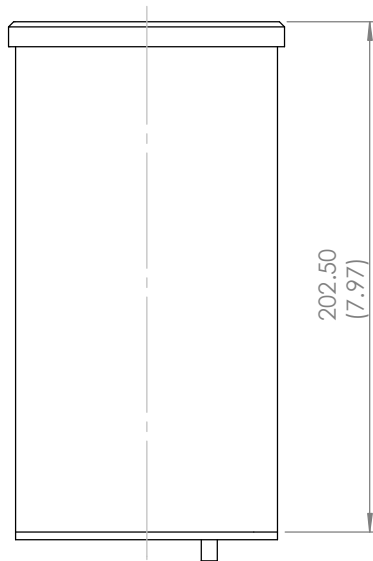
MODEL: LCO5-2550-D1/824

FREQUENCY:	2.45 - 2.68 GHz	GAIN:	4 dBiC Nominal
POLARISATION:	Circular (L.H.C)	BEAMWIDTH:	360° (Az) x 40° (El)
AXIAL RATIO:	3 dB Typ	VSWR:	1.5:1
POWER RATING:	10 W	FRONT TO BACK:	N/A
TEMPERATURE:	. 20°C to +50°C	MASS:	741 g / 1.63 lbs
FINISH:	Gloss White	WIND LOADING:	3.37 Kg / 7.4 lbs @ 100 mph

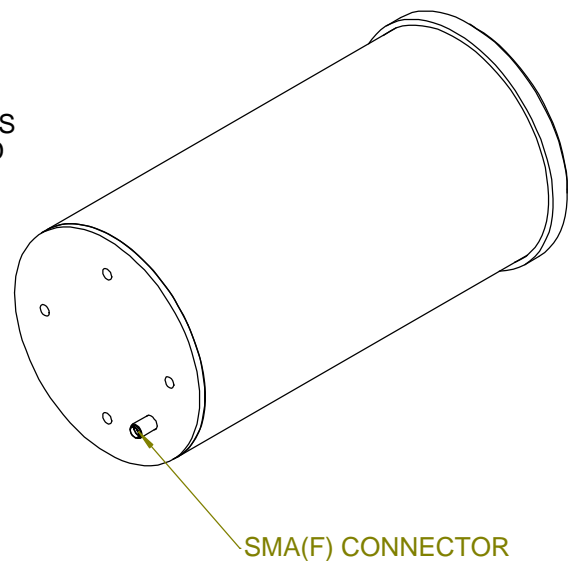
BASE VIEW



MOUNTING VIA
4 x M5.0 x 12.0 HOLES
EQUI SP ON 70.0 PCD



SIDE VIEW



ISOMETRIC VIEW

DIMENSIONS: mm (inches)

GA: 0824-1 Issued:300801

EUROPEAN ANTENNAS LTD.

LAMBDA HOUSE, CHEVELEY
NEWMARKET, SUFFOLK, CB8 9RG,
UNITED KINGDOM

Tel: +44 (0)1638 731888
Fax: +44 (0)1638 731999

E-Mail: sales@european-antennas.co.uk
Website: www.european-antennas.co.uk