

LOW PROFILE ANTENNA

LPA7-845L/930



ELECTRICAL

FREQUENCY:	820 - 870 MHz
GAIN:	7 dBiC
POLARISATION:	Left Hand Circular
BEAMWIDTH:	60° (Az) x 60° (El)
AXIAL RATIO:	3 dB
VSWR:	2:1 Max. 1.5:1 Typ.
POWER RATING:	10 W
FRONT TO BACK:	25 dB

MECHANICAL

STANDARD FINISH:	Gloss White
MASS:	0.63 kg / 1.38 lbs
TEMPERATURE:	-20° to +50°C
WIND LOADING:	11.9 kg / 26.2 lbs @ 100 mph

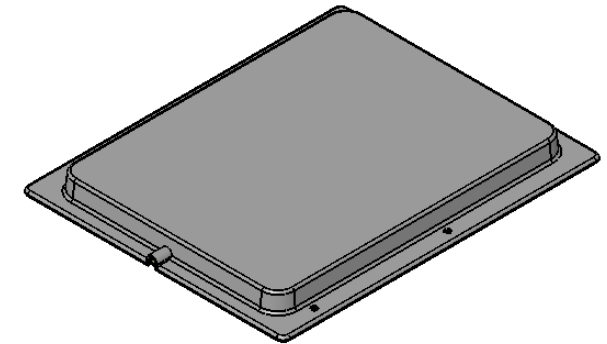
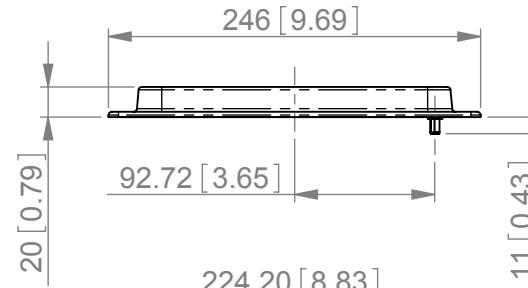
MOUNTING OPTIONS

KITS AVAILABLE: N/A

See Separate Data Sheets

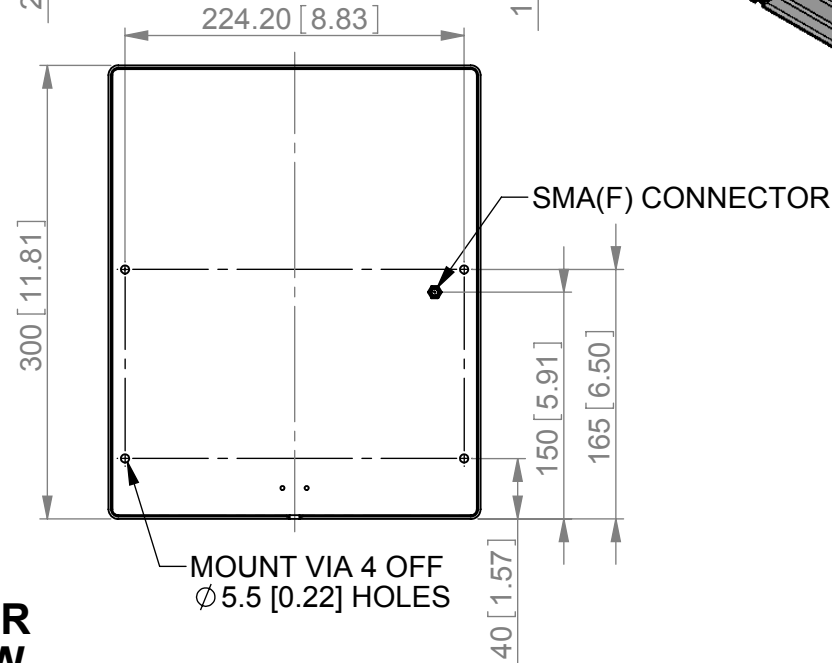
GA: 930-1 Issued: 280308
 DIMENSIONS: mm [inches]

SIDE VIEW



ISOMETRIC VIEW

REAR VIEW



LPA7-845L/930

European Antennas Ltd. has a policy of continuous development and therefore stress that the data contained on this sheet should be used for guidance only.

European Antennas Ltd. is part of the Cobham Antennas Division



Certificate No 9268

European Antennas Ltd
 Lambda House, Cheveley
 Newmarket, Suffolk, CB8 9RG, UK
 Tel: +44 (0)1638 731888
 sales@european-antennas.co.uk
www.european-antennas.co.uk