



# EUROPEAN ANTENNAS

Excellence through design  
Creative in concept

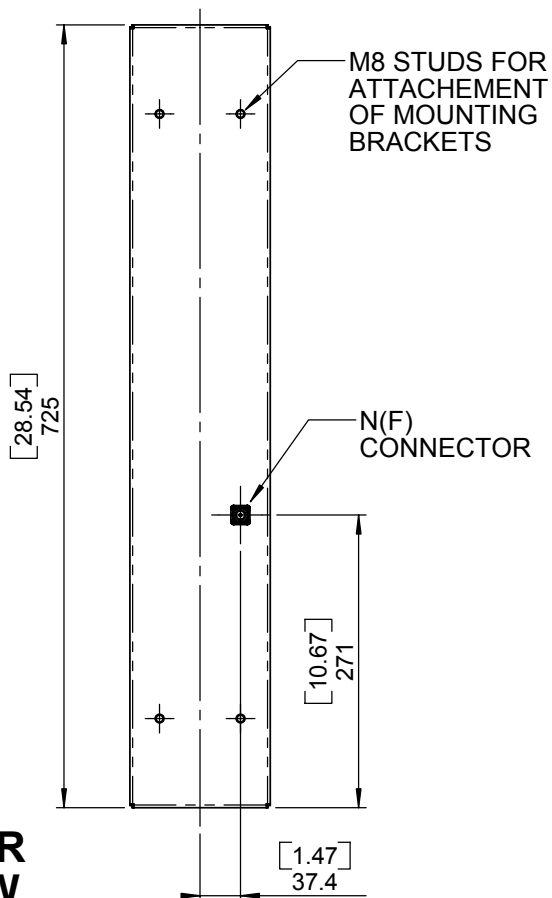
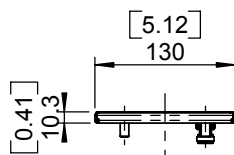
## SECTOR ANTENNA

### MODEL: SA16-60-25V/858

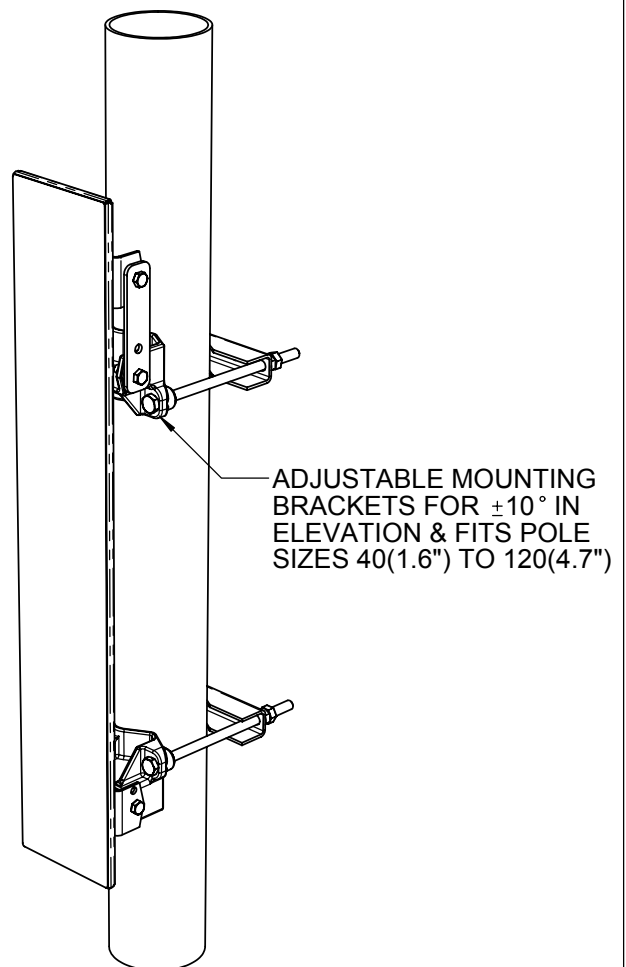
CONFORMS TO ETSI EN 301-525 V1.1.1 CLASS CS ASYMMETRICAL ELEVATION PATTERN

<b>FREQUENCY:</b>	2.40 - 2.70 GHz	<b>GAIN:</b>	16 dBi Nominal
<b>POLARISATION:</b>	Linear (Vertical)	<b>BEAMWIDTH:</b>	60° (Az.) x 10° (El.) Nominal
<b>CROSS POLAR:</b>	20 dB Minimum	<b>VSWR:</b>	1.5 : 1
<b>POWER RATING:</b>	20 W	<b>FRONT TO BACK:</b>	25 dB Minimum
<b>TEMPERATURE:</b>	-45° to +65°C	<b>MASS:</b>	1 Kg / 2.2 lbs (3.7Kg / 8.1 lbs Inc Brackets)
<b>ELECTRICAL DOWNTILT:</b>	2° Nominal	<b>WIND LOADING:</b>	15.3 Kg / 33.6 lbs @ 100 mph
<b>INDEX OF ENVIRONMENTAL PROTECTION:</b>	IP67	<b>FINISH:</b>	Gloss White Radome / Alocrom 1200 Chassis

### TOP VIEW



### REAR VIEW



### PICTORIAL VIEW

<b>DIMENSIONS:</b> mm [inches]	<b>M</b>
GA: 0858 - 5	Issued: 221105

EUROPEAN ANTENNAS LTD.

Tel: +44 (0)1638 731888  
Fax: +44 (0)1638 731999

LAMBDA HOUSE, CHEVELEY  
NEWMARKET, SUFFOLK, CB8 9RG,  
UNITED KINGDOM

E-Mail: [sales@european-antennas.co.uk](mailto:sales@european-antennas.co.uk)  
Website: [www.european-antennas.co.uk](http://www.european-antennas.co.uk)

European Antennas Ltd. has a policy of continuous development and therefore stress that the data contained on this sheet should be used for guidance only.