



EUROPEAN ANTENNAS

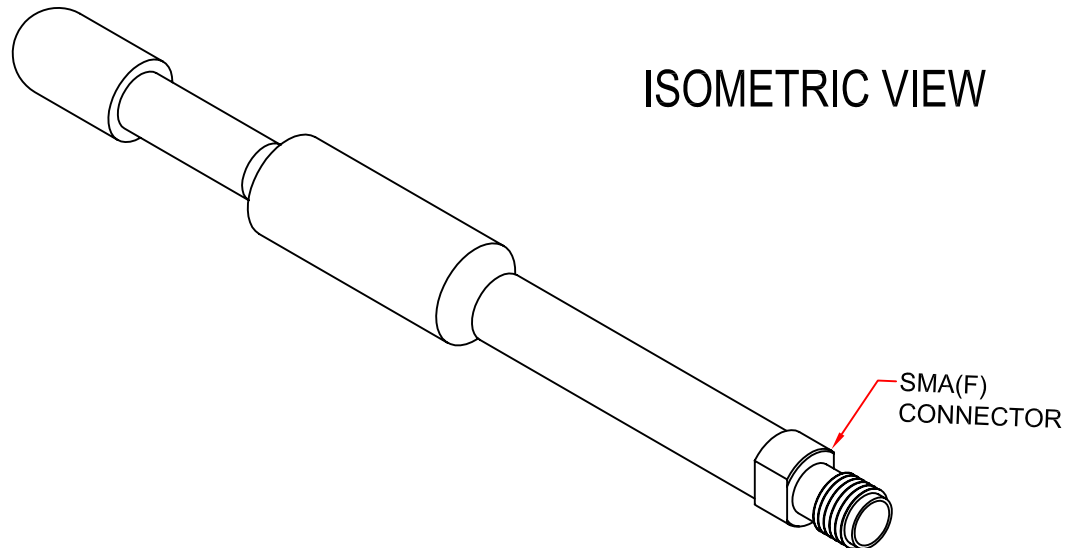
Excellence through design
Creative in concept



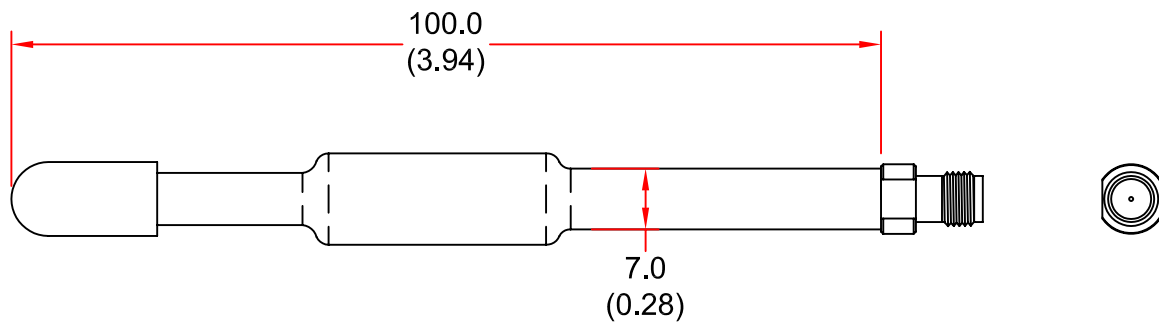
SLIM DIPOLE ANTENNA

MODEL: SVD2-2450-SMAF/951

FREQUENCY:	2.4 - 2.5 GHz	GAIN:	2 dBi
POLARISATION:	Linear (Vertical)	BEAMWIDTH:	360° x 80°
CROSS POLAR:	15 - 20 dB	VSWR:	2 : 1
POWER RATING:	5 W	FRONT TO BACK:	N/A
TEMPERATURE:	-20°C to +50°C	MASS:	13 g / 0.46 oz
FINISH:	Matt Black	WIND LOADING:	N/A



ISOMETRIC VIEW



SIDE VIEW

END VIEW

DIMENSIONS: mm (inches)

GA 951 - 2 Issued 020805

EUROPEAN ANTENNAS LTD.

LAMBDA HOUSE, CHEVELEY,
NEWMARKET, SUFFOLK, CB8 9RG,
UNITED KINGDOM.

TEL: +44 (0)1638 731888
FAX: +44 (0)1638 731999

E-Mail: sales@european-antennas.co.uk
Website: www.european-antennas.co.uk

European Antennas Ltd. has a policy of continuous development and therefore stress that the data contained on this sheet should be used for guidance only.