



# EUROPEAN ANTENNAS

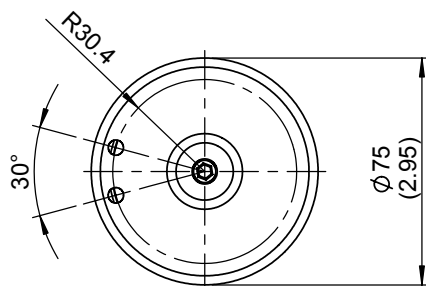
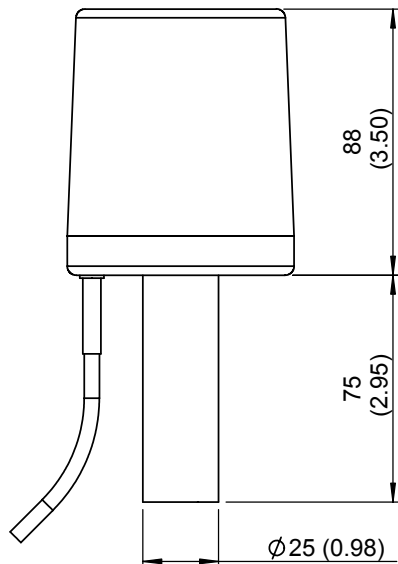
Excellence through design  
Creative in concept

## WIRELESS LAN DIVERSITY ANTENNA

**MODEL: DS03-2460-502-D2/975**

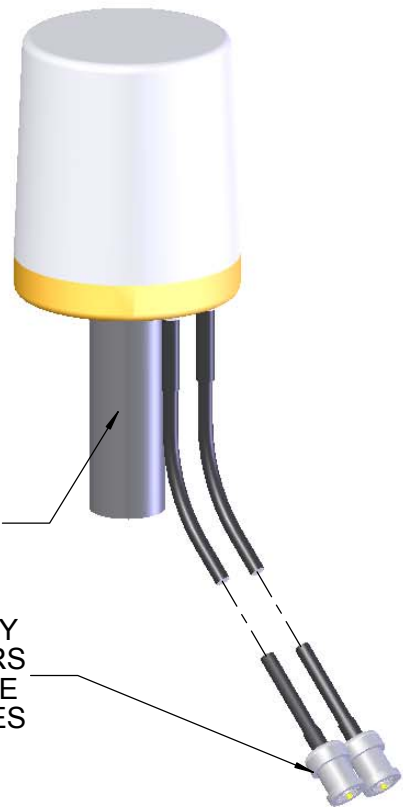
<b>FREQUENCY:</b>	2.40 - 2.50 GHz	<b>GAIN:</b>	1.0 dBi (including cable loss)
<b>POLARISATION:</b>	Dual Slant +/- 45°	<b>BEAMWIDTH:</b>	360° (Az.) x 90° (El.) Approx (both inputs)
<b>ISOLATION:</b>	20 dB	<b>VSWR:</b>	2 : 1 Max
<b>TEMPERATURE:</b>	-20° to +50°C	<b>MASS:</b>	420 g/15 oz
<b>FINISH:</b>	White		

### SIDE VIEW



### END VIEW

### PICTORIAL VIEW



REMOVEABLE SPIGOT  
(M5 x 12.0 HOLE IN BASE)

2 x REVERSE POLARTY  
BNC (PLUG) CONNECTORS  
ON 1.0M WHITE  
LSOH JACKETED CABLES

<b>DIMENSIONS:</b> mm (inches)	<b>H</b>
GA: 975 - 3	Issued: 110105

EUROPEAN ANTENNAS LTD.

Tel: +44 (0)1638 731888  
Fax: +44 (0)1638 731999

LAMBDA HOUSE, CHEVELEY  
NEWMARKET, SUFFOLK, CB8 9RG,  
UNITED KINGDOM

E-Mail: [sales@european-antennas.co.uk](mailto:sales@european-antennas.co.uk)  
Website: [www.european-antennas.co.uk](http://www.european-antennas.co.uk)