



EUROPEAN ANTENNAS

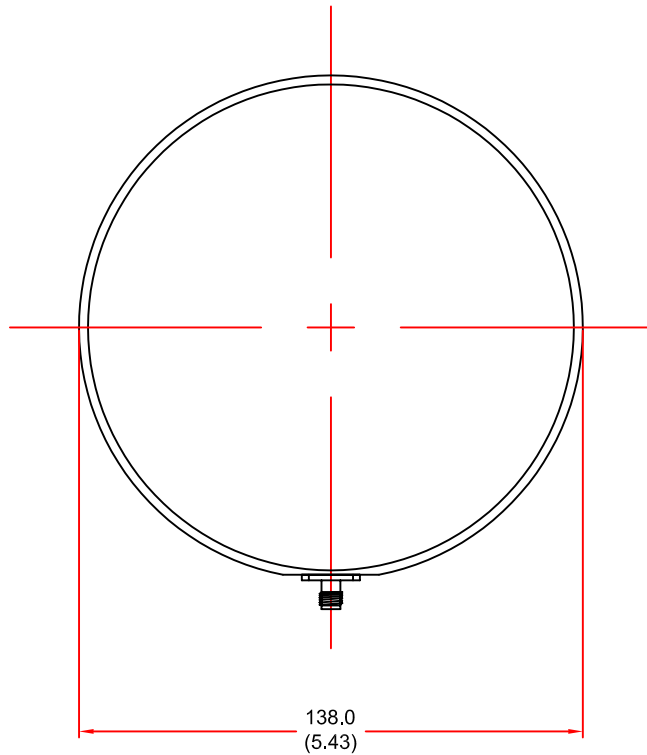
Excellence through design
Creative in concept



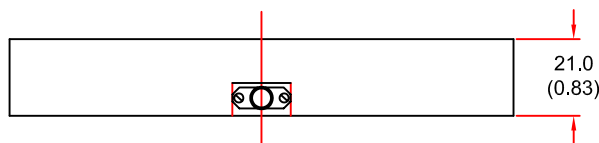
LOW PROFILE ANTENNA

MODEL: LPA7-15R-D3/839

FREQUENCY:	1.45 - 1.60 GHz	GAIN:	7 dBiC Nominal
POLARISATION:	R.H. Circular	BEAMWIDTH:	80° x 80° Approx
AXIAL RATIO:	2 dB Typical	VSWR:	1.5 : 1 Max
POWER RATING:	10 W	FRONT TO BACK:	20 dB
TEMPERATURE:	-20°C to +50°C	MASS:	200 g/7 oz
FINISH:	Matt Black	WIND LOADING:	N/A

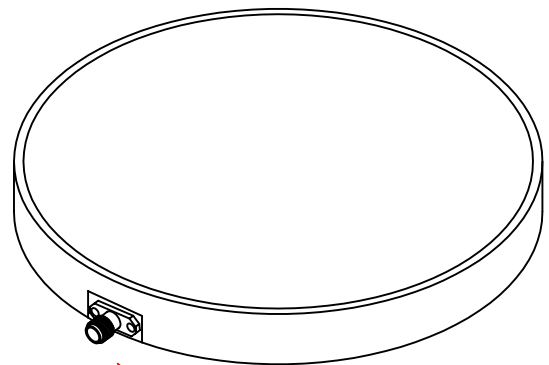


PLAN VIEW



SIDE VIEW

ISOMETRIC VIEW



SMA(F) CONNECTOR

DIMENSIONS: mm (inches)

GA 839-1 Issued 180401

EUROPEAN ANTENNAS LTD.

TEL: +44 (0)1638 731888
FAX: +44 (0)1638 731999

LAMBDA HOUSE, CHEVELEY,
NEWMARKET, SUFFOLK, CB8 9RG,
UNITED KINGDOM.

E-Mail: sales@european-antennas.co.uk
Website: www.european-antennas.co.uk

European Antennas Ltd. has a policy of continuous development and therefore stress that the data contained on this sheet should be used for guidance only.