



# EUROPEAN ANTENNAS

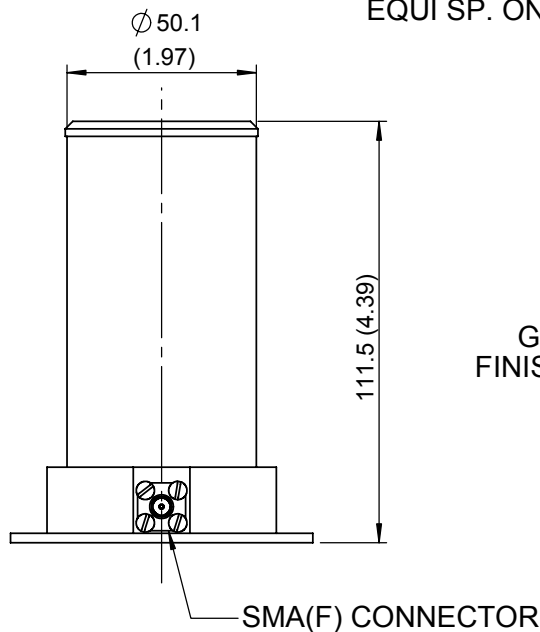
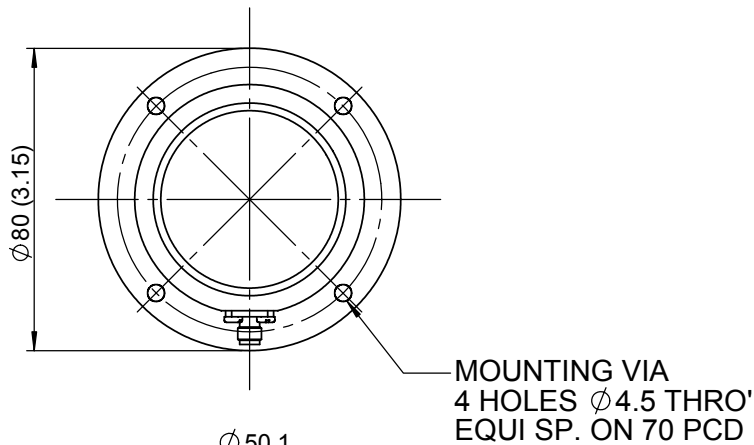
Excellence through design  
Creative in concept

## SECTOR ANTENNA

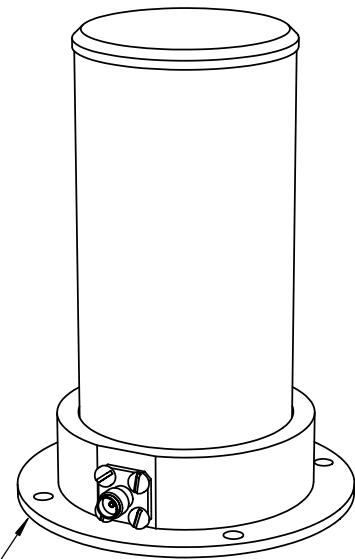
### MODEL: SA6-180-58L-UT20/883

|                         |               |                       |                                |
|-------------------------|---------------|-----------------------|--------------------------------|
| <b>FREQUENCY:</b>       | 5.7 - 5.9 GHz | <b>GAIN:</b>          | 6 dBiC                         |
| <b>POLARISATION:</b>    | L.H. Circular | <b>BEAMWIDTH:</b>     | 180° (Az.) x 30° (El.) Approx. |
| <b>AXIAL RATIO:</b>     | 5 dB Typical  | <b>VSWR:</b>          | 1.5 : 1 Maximum                |
| <b>ELECTRICAL TILT:</b> | 20° Up        | <b>FRONT TO BACK:</b> | 15 dB Minimum                  |
| <b>POWER RATING:</b>    | 10 W          | <b>MASS:</b>          | 230g / 8.1 oz                  |
| <b>TEMPERATURE:</b>     | -35° to +52°C | <b>WIND LOADING:</b>  | 0.9 Kg / 2.0 lbs @ 100 mph     |

### TOP VIEW



### SIDE VIEW



GLOSS WHITE  
FINISH ALL OVER

### PICTORIAL VIEW

|                                |                |
|--------------------------------|----------------|
| <b>DIMENSIONS:</b> mm (inches) | L              |
| GA: 0883-1                     | Issued: 170103 |

EUROPEAN ANTENNAS LTD.

Tel: +44 (0)1638 731888  
Fax: +44 (0)1638 731999

LAMBDA HOUSE, CHEVELEY  
NEWMARKET, SUFFOLK, CB8 9RG,  
UNITED KINGDOM

E-Mail: [sales@european-antennas.co.uk](mailto:sales@european-antennas.co.uk)  
Website: [www.european-antennas.co.uk](http://www.european-antennas.co.uk)