



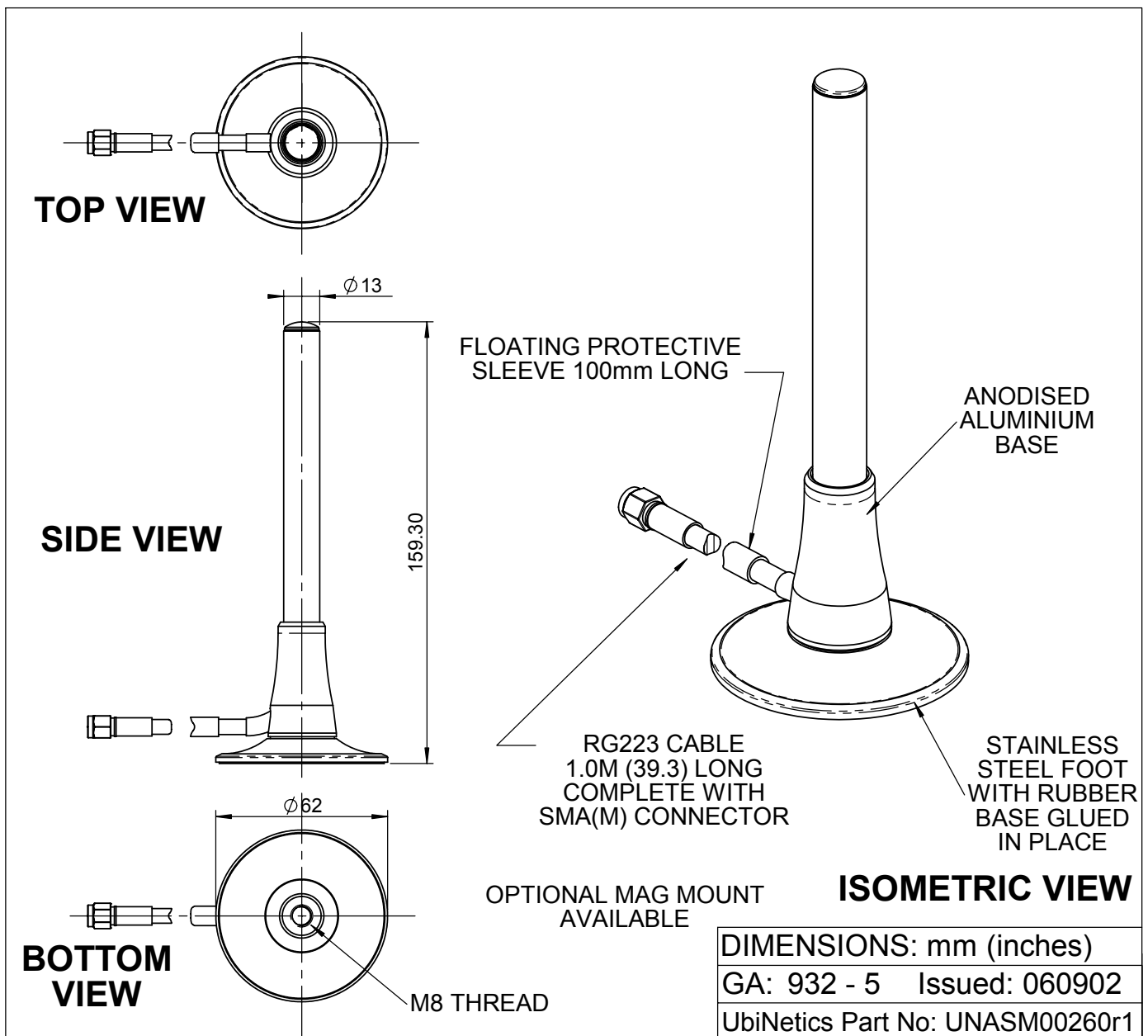
EUROPEAN ANTENNAS

Excellence through design
Creative in concept

RUGGED DIPOLE ANTENNA

MODEL: EVD2-2050-UBI/932

| | | | |
|----------------------|-------------------|-----------------------|----------------------------------|
| FREQUENCY: | 1.920 - 2.175 GHz | GAIN: | >0 dBi +/- 3dB (Excluding Cable) |
| POLARISATION: | Linear (Vertical) | RETURN LOSS: | >8 dB |
| CROSS POLAR | >10 dB | FRONT TO BACK: | N/A |
| POWER RATING: | 10 W | MASS: | 160 g/5.6 oz (Ex. Cable) |
| TEMPERATURE: | -20° to +50°C | FINISH: | Matt Black Glass Fibre |



EUROPEAN ANTENNAS LTD.

Tel: +44 (0)1638 731888
Fax: +44 (0)1638 731999

LAMBDA HOUSE, CHEVELEY
NEWMARKET, SUFFOLK, CB8 9RG,
UNITED KINGDOM

E-Mail: sales@european-antennas.co.uk
Website: www.european-antennas.co.uk