



EUROPEAN ANTENNAS

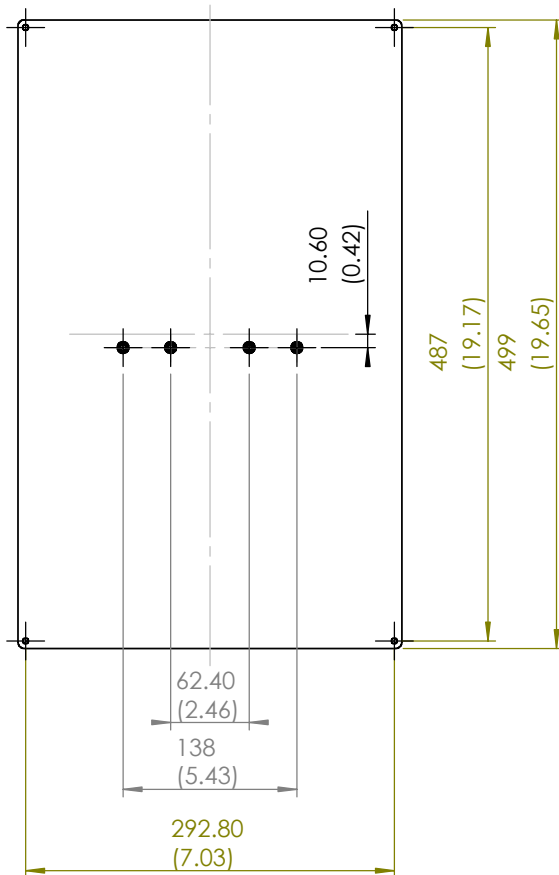
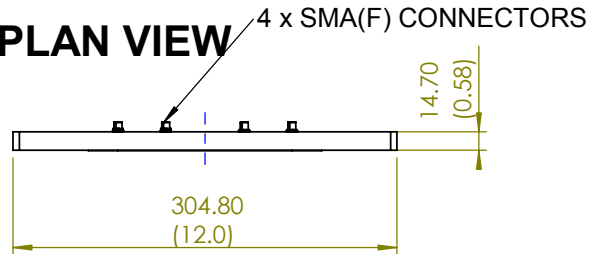
Excellence through design
Creative in concept

MULTI SECTOR ANTENNA

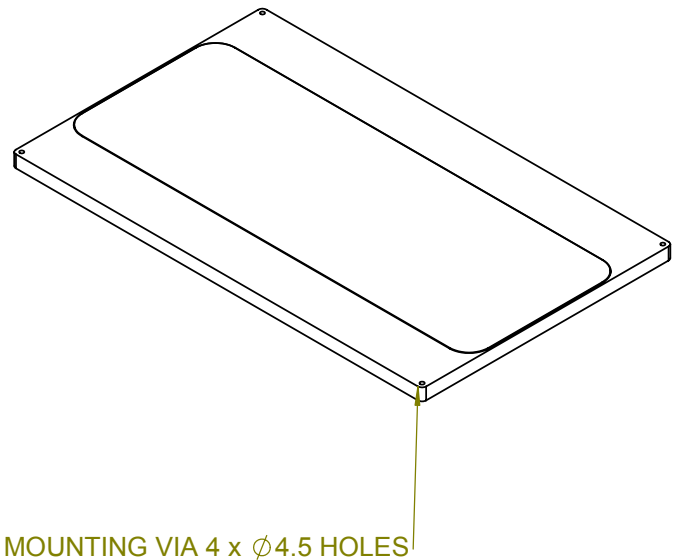
MODEL: 4SA17-55V/876

FREQUENCY:	5.250 - 5.825 GHz	GAIN:	17 dBi Nom
POLARISATION:	Linear (Vertical)	BEAMWIDTH:	60° (Az) x 7° (El)
CROSS POLAR:	20 dB Typ	VSWR:	1.5:1
POWER RATING:	10 W	FRONT TO BACK:	>40 dB
TEMPERATURE:	-20°C to +50°C	MASS:	4.0 Kg / 8.8lbs
FINISH:	Gloss White ABS, Alocrom 12	WIND LOADING:	24.6 Kg / 54.3 lbs @ 100 mph

PLAN VIEW



REAR VIEW



ISOMETRIC VIEW

DIMENSIONS: mm (inches)

GA: 0876-5 Issued:280802

EUROPEAN ANTENNAS LTD.

Tel: +44 (0)1638 731888
Fax: +44 (0)1638 731999

LAMBDA HOUSE, CHEVELEY
NEWMARKET, SUFFOLK, CB8 9RG,
UNITED KINGDOM

E-Mail: sales@european-antennas.co.uk
Website: www.european-antennas.co.uk