



# EUROPEAN ANTENNAS

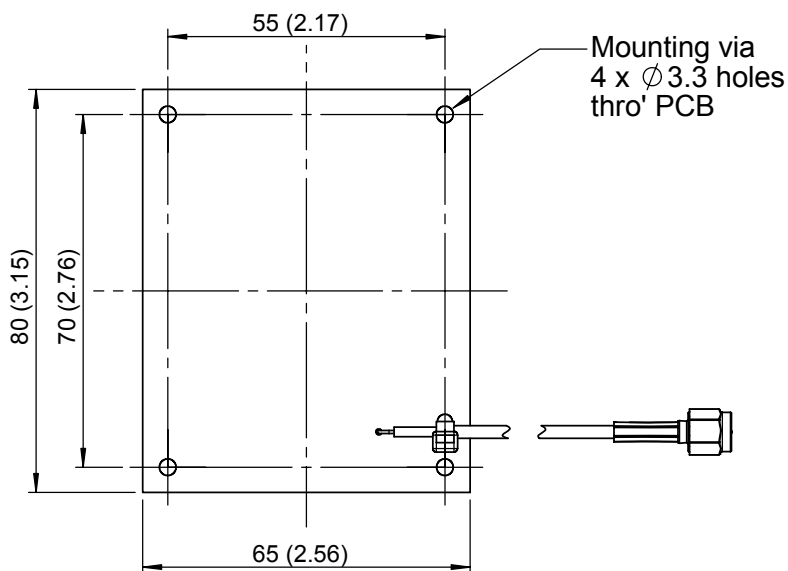
Excellence through design  
Creative in concept

## PATCH ANTENNA

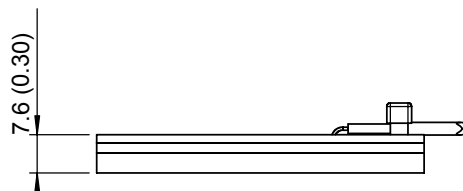
### MODEL: PA5-2350R-D1/977

|                      |                  |                       |                            |
|----------------------|------------------|-----------------------|----------------------------|
| <b>FREQUENCY:</b>    | 2.33 - 2.37 GHz  | <b>GAIN:</b>          | 5 dBiC Min.                |
| <b>POLARISATION:</b> | R.H. Circular    | <b>BEAMWIDTH:</b>     | 80° x 80°                  |
| <b>CROSS POLAR:</b>  | 6 dB Typ.        | <b>VSWR:</b>          | 1.7 : 1                    |
| <b>POWER RATING:</b> | 5 W              | <b>FRONT TO BACK:</b> | 20 dB                      |
| <b>TEMPERATURE:</b>  | -20°C to +50°C   | <b>MASS:</b>          | 30 g / 1.05 oz             |
| <b>FINISH:</b>       | White Foam Front | <b>WIND LOADING:</b>  | 0.8 Kg / 1.9 lbs @ 100 mph |

### REAR VIEW



### PICTORIAL VIEW



### BOTTOM VIEW

250mm (9.84") long RG316 Cable with SMA(M) Connector

**DIMENSIONS:** mm (inches)

GA:977 - 1 Issued:130802

EUROPEAN ANTENNAS LTD.

Tel: +44 (0)1638 731888  
Fax: +44 (0)1638 731999

LAMBDA HOUSE, CHEVELEY  
NEWMARKET, SUFFOLK, CB8 9RG,  
UNITED KINGDOM

E-Mail: [sales@european-antennas.co.uk](mailto:sales@european-antennas.co.uk)  
Website: [www.european-antennas.co.uk](http://www.european-antennas.co.uk)

European Antennas Ltd. has a policy of continuous development and therefore stress that the data contained on this sheet should be used for guidance only.