



EUROPEAN ANTENNAS

Excellence through design
Creative in concept

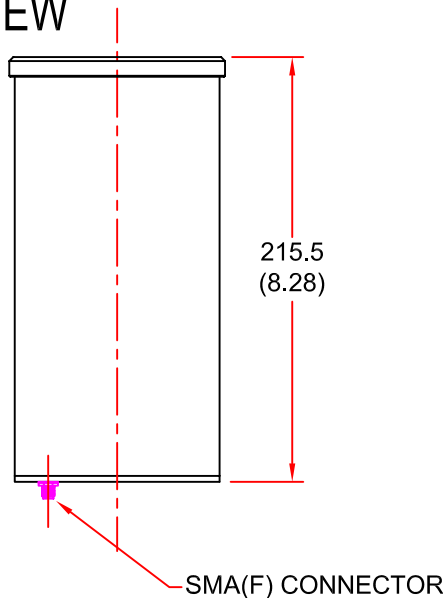


CIRCULAR POLARISED OMNI ANTENNA

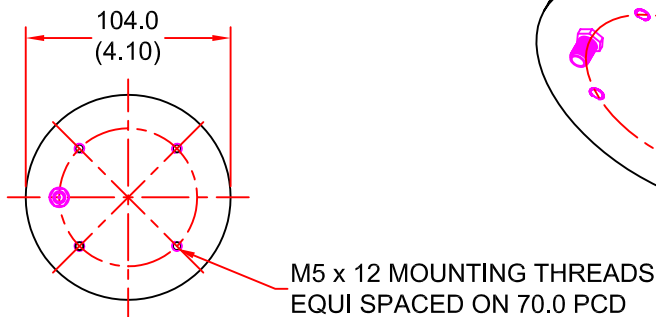
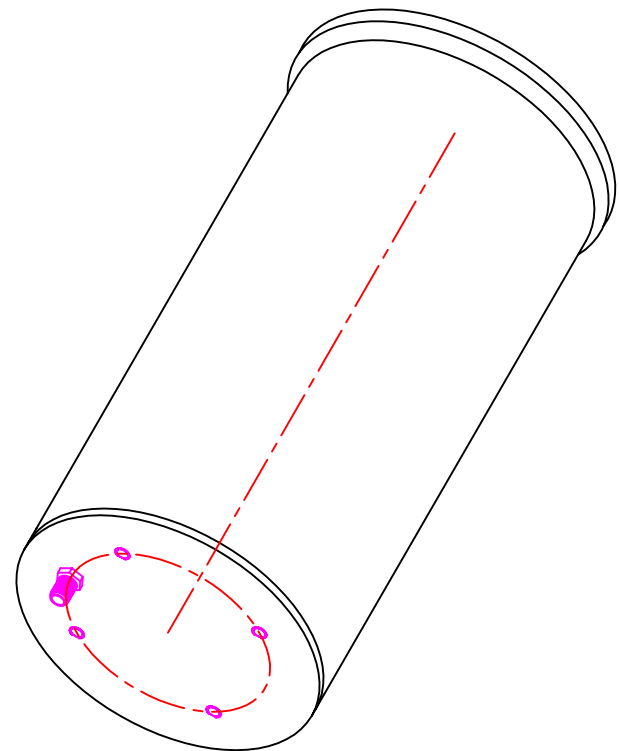
MODEL: RCO5-2450-D1/837

| | | | |
|---------------|-----------------------|----------------|----------------------------------|
| FREQUENCY: | 2.35 - 2.55 GHz | GAIN: | 4 dBiC Nominal |
| POLARISATION: | Circular (Right Hand) | BEAMWIDTH: | 360° (Azimuth) x 40° (Elevation) |
| AXIAL RATIO: | 3 dB Typical | VSWR: | 1.5:1 Max |
| POWER RATING: | 10 W | FRONT TO BACK: | N/A |
| TEMPERATURE: | -20°C to +50°C | MASS: | 745g/1.64lbs |
| FINISH: | Gloss White | WIND LOADING: | 3.63Kg/7.99lbs @ 100mph |

SIDE VIEW



ISOMETRIC VIEW



REAR VIEW

DIMENSIONS: mm (inches)

GA 837 - 1 Issued 110601

EUROPEAN ANTENNAS LTD.

LAMBDA HOUSE, CHEVELEY,
NEWMARKET, SUFFOLK, CB8 9RG,
UNITED KINGDOM.

TEL: +44 (0)1638 731888

FAX: +44 (0)1638 731999

E-Mail: sales@european-antennas.co.uk

Website: www.european-antennas.co.uk