

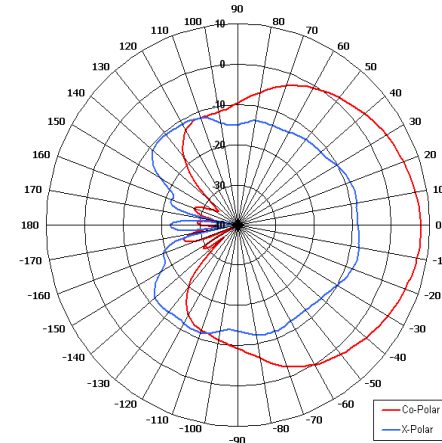
# LPA7-23R/685

**COBHAM**

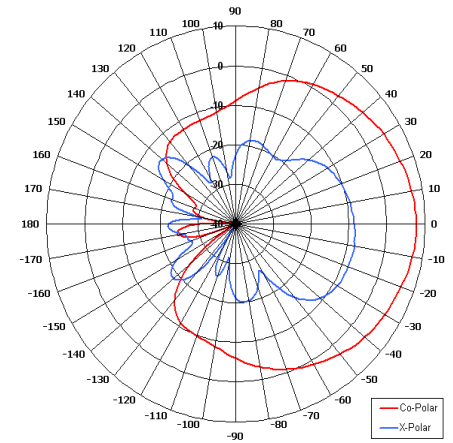
Directional Antenna

The most important thing we build is trust

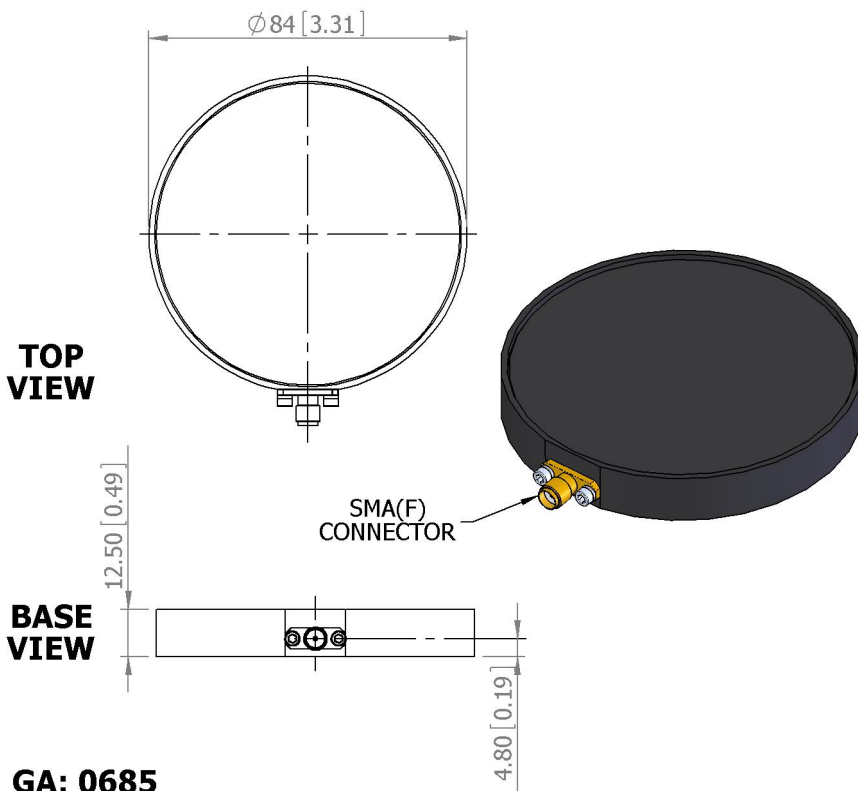
- Designed for Security Applications
- Suitable for Multiple Applications
- Right Hand Circular Polarised
- Low Profile
- Lightweight



Azimuth Pattern



Elevation Pattern



**GA: 0685**

**ELECTRICAL**

Frequency	2.10 - 2.50 GHz
Gain	6-8 dBiC Nom
Polarisation	Right Hand Circular
Beamwidth	80° (Az) x 80° (El) Approx
Axial Ratio	4 dB Typ
VSWR	2:1 Max
Power Rating	10 W
Front to Back	20 dB Typ

**MECHANICAL**

Standard Finish	Matt Black
Mass	91g (3.3 oz)
Temperature	-20° to +50°C
Wind Loading	0.96 Kg (2.3lbs) at 100mph

**MOUNTING OPTIONS**

Kits Available	N/A
See separate data sheets	

**ADDITIONAL NOTES**

Issued 091210

European Antennas Limited trading as Cobham Antenna Systems, Microwave Antennas

European Antennas Limited has a policy of continuous development and stress that the information provided is a guide only and does not constitute an offer or contract or part thereof. Whilst every effort is made to ensure the accuracy of the information contained in this brochure, no responsibility can be accepted for any errors or omissions.

The copyright of antenna designs and images is copyright protected and owned by European Antennas Limited.  
©European Antennas Limited

For further information please contact:

Cobham Antenna Systems, Microwave Antennas  
 Lambda House, Cheveley,  
 Newmarket, Suffolk CB8 9RG, UK.  
 Tel +44 (0)1638 732 177  
 Fax +44 (0) 1638 731999  
 Email newmarket.sales@cobham.com