



EUROPEAN ANTENNAS

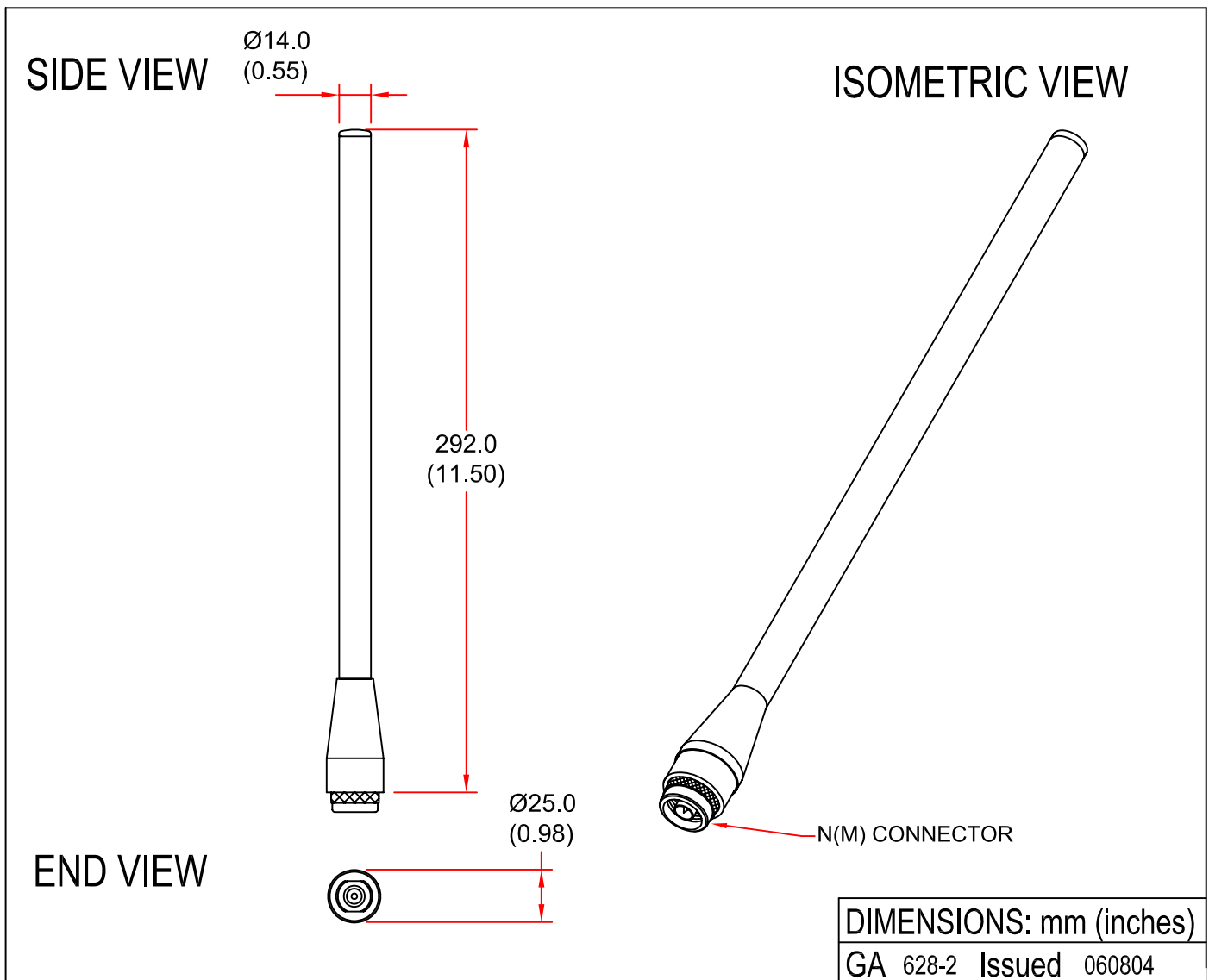
Excellence through design
Creative in concept



RUGGED DIPOLE ANTENNA

MODEL: EVD2-960-1215/628

FREQUENCY:	960 - 1215 MHz	GAIN:	2 dBi
POLARISATION:	Linear (Vertical)	BEAMWIDTH:	360° x 80°
CROSS POLAR:	15-20 dB	VSWR:	2:1 Typ, 2.5:1 Max
POWER RATING:	20 W	FRONT TO BACK:	N/A
TEMPERATURE:	-20°C to +50°C	MASS:	90g/3.46 Oz
RADOME:	Glass Fibre (Matt Black)	WIND LOADING:	0.5Kg/1.1lbs @ 100mph



EUROPEAN ANTENNAS LTD.

TEL: +44 (0)1638 731888
FAX: +44 (0)1638 731999

LAMBDA HOUSE, CHEVELEY,
NEWMARKET, SUFFOLK, CB8 9RG,
UNITED KINGDOM.

E-Mail: sales@european-antennas.co.uk
Website: www.european-antennas.co.uk