

SA13-24L/705

COBHAM

Sector Antenna

The most important thing we build is trust

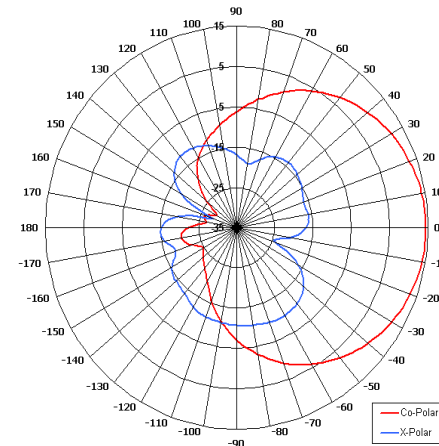
Designed for Broadcast Applications

Suitable for Multiple Applications

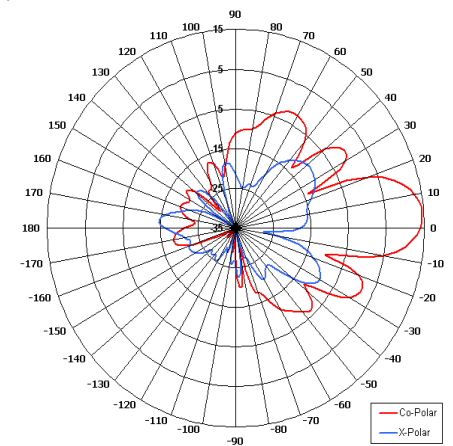
Left Hand Circular Polarised

Low Profile

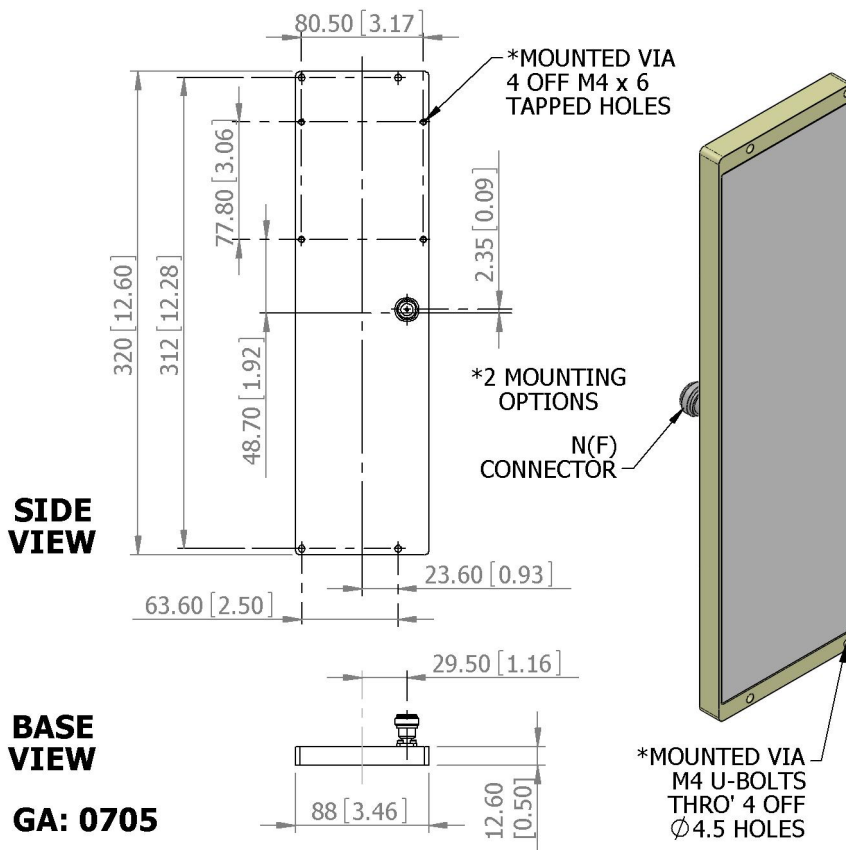
Compact



Azimuth Pattern



Elevation Pattern



ELECTRICAL

Frequency	2.30 - 2.55 GHz
Gain	13 dBiC Nom
Polarisation	Left Hand Circular
Beamwidth	80° (Az) x 20° (El) Approx
Axial Ratio	3 dB Typ
VSWR	1.5:1
Power Rating	20 W
Front to Back	20 dB Min

MECHANICAL

Standard Finish	Gloss White (Alocrom 1200)
Mass	465 g (16.6 oz)
Temperature	-20° to +50°C
Wind Loading	4.6 Kg (10.0 lbs) @ 100mph

MOUNTING OPTIONS

Kits Available	N/A
See separate data sheets	

ADDITIONAL NOTES

Issued 130111

European Antennas Limited trading as Cobham Antenna Systems, Microwave Antennas

European Antennas Limited has a policy of continuous development and stress that the information provided is a guide only and does not constitute an offer or contract or part thereof. Whilst every effort is made to ensure the accuracy of the information contained in this brochure, no responsibility can be accepted for any errors or omissions.

The copyright of antenna designs and images is copyright protected and owned by European Antennas Limited.
©European Antennas Limited

For further information please contact:

Cobham Antenna Systems, Microwave Antennas

Lambda House, Cheveley,

Newmarket, Suffolk CB8 9RG, UK.

Tel +44 (0)1638 732 177

Fax +44 (0) 1638 731999

Email antennasystems.ma@cobham.com