

# SLIM DIPOLE ANTENNA SVD2-1800-SMAF/721

## ELECTRICAL

FREQUENCY:	1.71 - 1.88 GHz
GAIN:	2 dBi
POLARISATION:	Linear (Vertical)
BEAMWIDTH:	360° (Az) x 80° (El)
CROSS POLAR:	15 - 20 dB
VSWR:	2:1
POWER RATING:	10 W
FRONT TO BACK:	N/A

## MECHANICAL

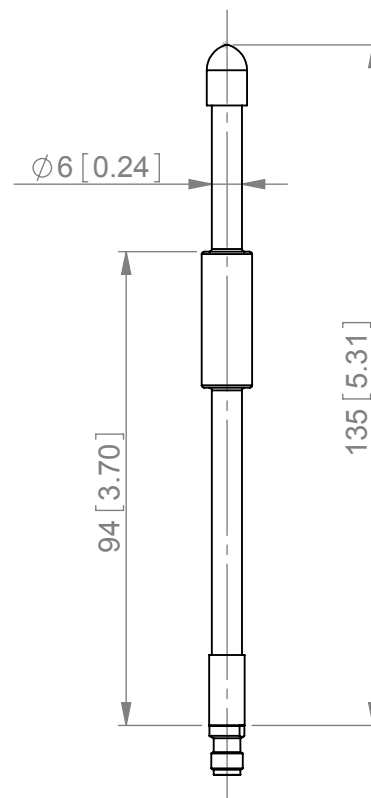
STANDARD FINISH:	Matt Black
MASS:	15 g / 0.5 ozs
TEMPERATURE:	-20° to +50°C
WIND LOADING:	X.X Kg / X.X lbs @ 100 mph

## MOUNTING OPTIONS

KITS AVAILABLE: N/A

See Separate Data Sheets

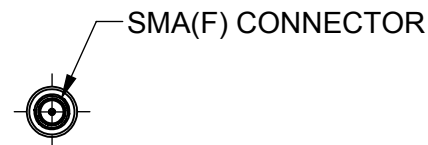
**SIDE  
VIEW**



**ISOMETRIC  
VIEW**



**BASE  
VIEW**



SVD2-1800-SMAF/721

GA: 721-4 Issued: 180809  
DIMENSIONS: mm [inches]

European Antennas Ltd. has a policy of continuous development and therefore stress that the data contained on this sheet should be used for guidance only.

European Antennas Ltd is part of Cobham Defence Electronic Systems



Certificate No 9263

European Antennas Ltd  
Lambda House, Cheveley  
Newmarket, Suffolk, CB8 9RG, UK  
Tel: +44 (0)1638 731888  
sales@european-antennas.co.uk  
[www.european-antennas.co.uk](http://www.european-antennas.co.uk)