



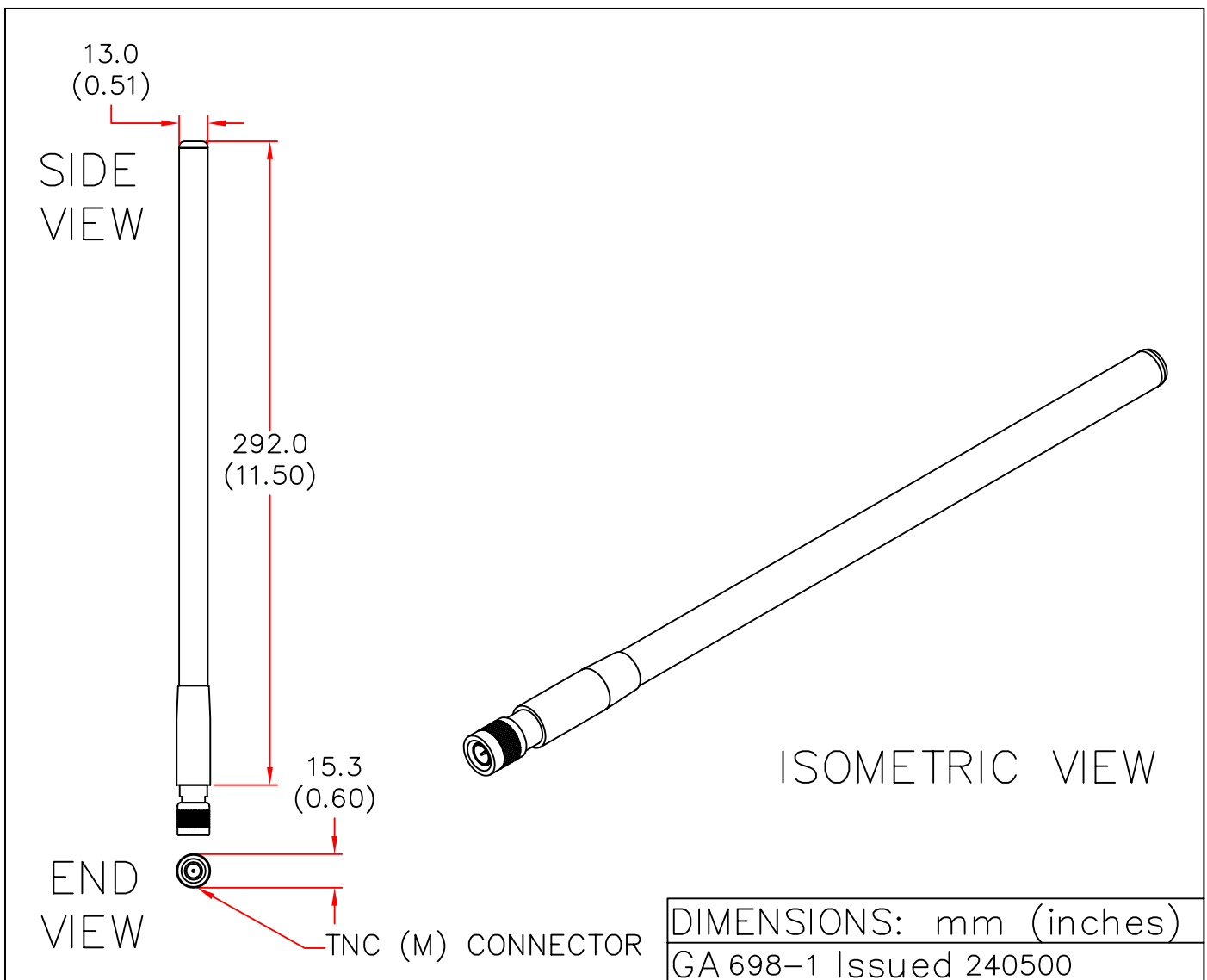
EUROPEAN ANTENNAS



EXTENDED PERFORMANCE DIPOLE ANTENNA

MODEL: EVD2-1080-1320-TNC-D1/698

FREQUENCY: 1080-1320 MHz	GAIN: 2 dBi
POLARISATION: Linear (Vertical)	BEAMWIDTH: 360° x 80°
CROSS POLAR: 15-20dB	VSWR: 2:1
POWER RATING: 20W	FRONT TO BACK: N/A
TEMPERATURE: -20°C to +50°C	MASS: 75g/2.3 Oz
RADOME: Glass Fibre Gloss White	WIND LOADING: 0.63Kg / 1.38 lbs @ 100 mph



EUROPEAN ANTENNAS LTD.

TEL: +44 (0)1638 731888

LAMBDA HOUSE, CHEVELEY,
NEWMARKET, SUFFOLK, CB8 9RG,
UNITED KINGDOM.

FAX: +44 (0)1638 731999

European Antennas Ltd. has a policy of continuous development and therefore stress that the data contained on this sheet should be used for guidance only.