



EUROPEAN ANTENNAS

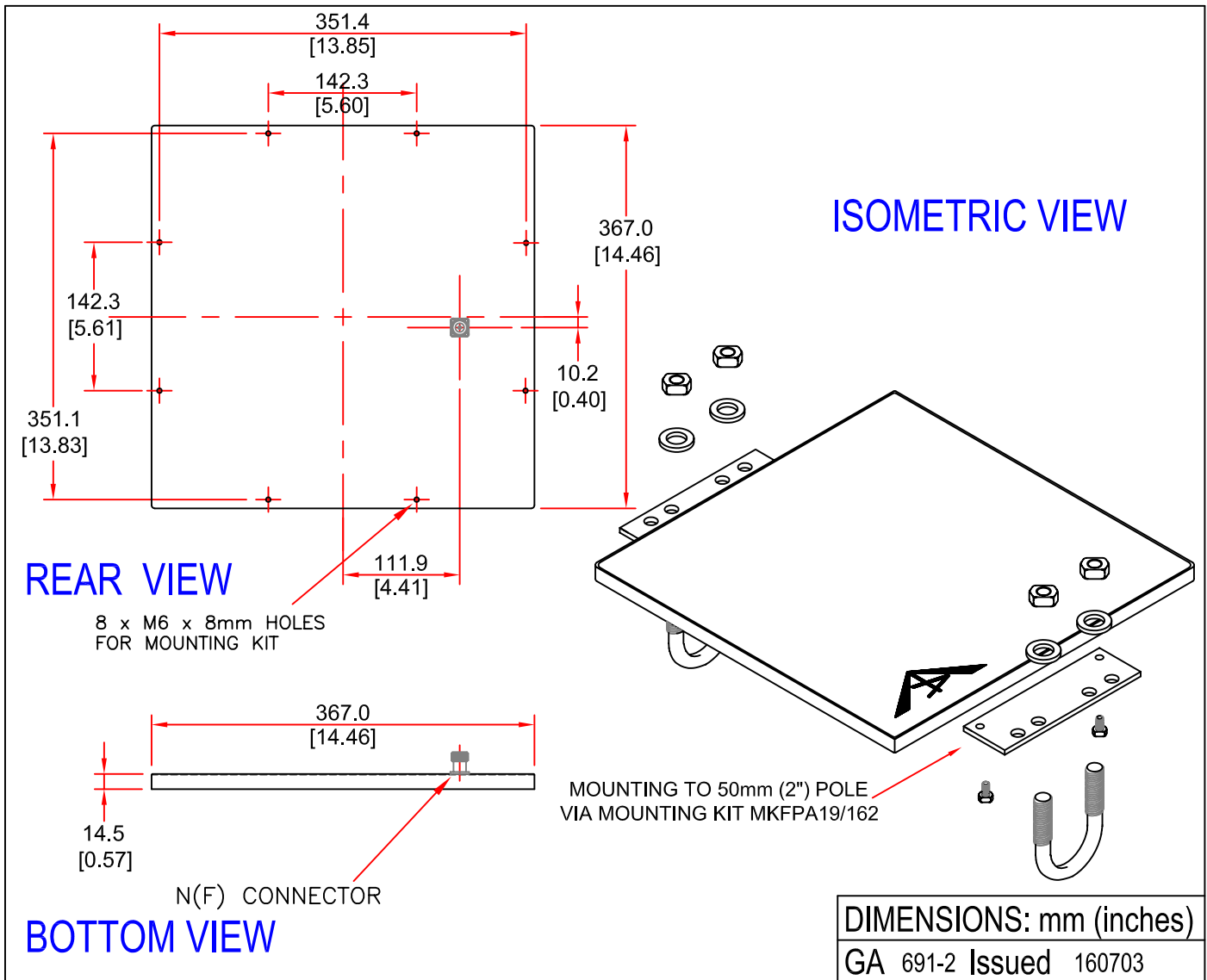
Excellence through design
Creative in concept



FLAT PANEL ANTENNA

MODEL: FPA19-25L/691

FREQUENCY:	2.40 - 2.70 GHz	GAIN:	19 dBiC
POLARISATION:	Left Hand Circular	BEAMWIDTH:	18° (Azimuth) x 18° (Elevation)
AXIAL RATIO:	2 - 3 dB Typical	VSWR:	1.5:1 max into 50 Ohms
POWER RATING:	20 W	FRONT TO BACK:	30 dB
TEMPERATURE:	-20°C to +50°C	MASS:	2.0 Kg/4.4 lbs
RADOME:	Glass Fibre / Semi Spatter White	WIND LOADING:	21.9 Kg/48.1 lbs @ 100mph



EUROPEAN ANTENNAS LTD.

TEL: +44 (0)1638 731888
FAX: +44 (0)1638 731999

LAMBDA HOUSE, CHEVELEY,
NEWMARKET, SUFFOLK, CB8 9RG,
UNITED KINGDOM.

E-Mail: sales@european-antennas.co.uk
Website: www.european-antennas.co.uk

European Antennas Ltd. has a policy of continuous development and therefore stress that the data contained on this sheet should be used for guidance only.