



EUROPEAN ANTENNAS

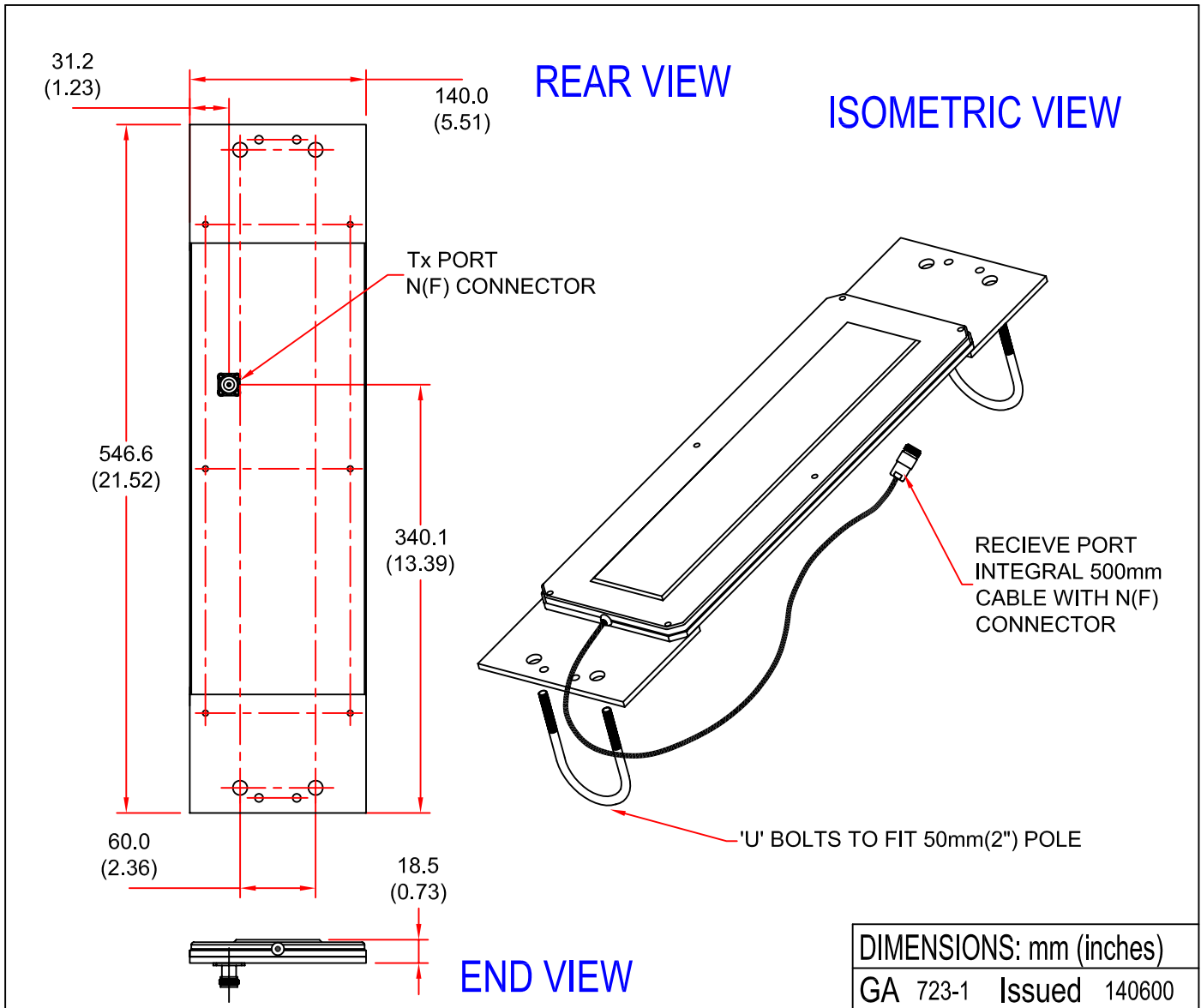
Excellence through design
Creative in concept



DUAL SECTOR ANTENNA

MODEL: DSA11-6-2450R-NF/723

FREQUENCY:	2.4-2.5GHz	GAIN:	11dBic (Rx), 6dBic (Tx)
POLARISATION:	Circular (R.H.C)	BEAMWIDTH:	65° x 30° (Rx), 70° x 70° (Tx)
AXIAL RATIO:	3dB Typ	VSWR:	1.5:1
TEMPERATURE:	-30°C to +55°C	MASS:	1.25Kg/2.75lbs
FINISH:	Grey Polymer/Alocrom 1200	WIND LOADING:	9.0Kg/19.9lbs @ 100mph



EUROPEAN ANTENNAS LTD.

LAMBDA HOUSE, CHEVELEY,
NEWMARKET, SUFFOLK, CB8 9RG,
UNITED KINGDOM.

TEL: +44 (0)1638 731888

FAX: +44 (0)1638 731999

E-Mail: sales@european-antennas.co.uk

Website: www.european-antennas.co.uk