



EUROPEAN ANTENNAS

Excellence through design
Creative in concept

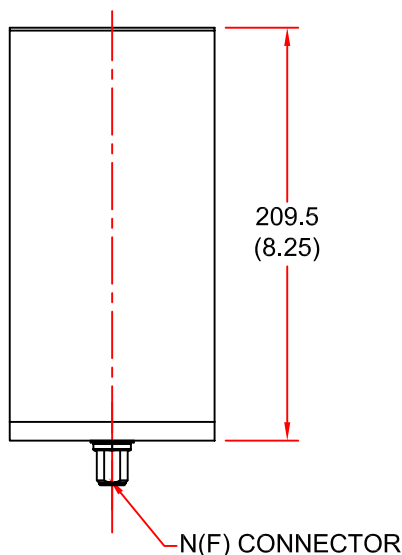


CIRCULAR POLARISED OMNI ANTENNA

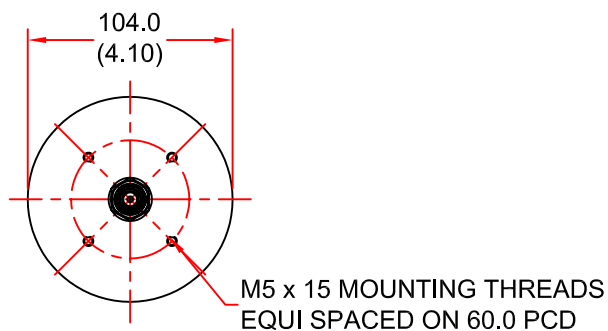
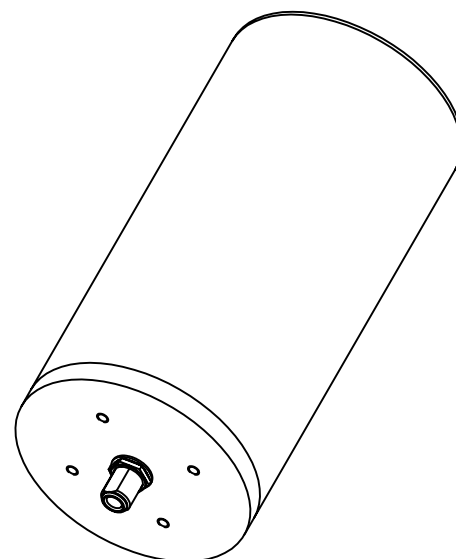
MODEL: RCO5-2400-MO2/764

FREQUENCY:	2.3 - 2.5 GHz	GAIN:	4 dBiC Nominal
POLARISATION:	Circular (RHC)	BEAMWIDTH:	360° x 50°
AXIAL RATIO:	2-3dB Typical	VSWR:	1.5:1
POWER RATING:	30W	FRONT TO BACK:	N/A
TEMPERATURE:	-20°C to +50°C	MASS:	880g/1.9lbs
FINISH:	Matt Black	WIND LOADING:	3.56Kg/7.83lbs @ 100mph

SIDE VIEW



ISOMETRIC VIEW



REAR VIEW

DIMENSIONS: mm (inches)

GA 764-1 Issued 270900

EUROPEAN ANTENNAS LTD.

LAMBDA HOUSE, CHEVELEY,
NEWMARKET, SUFFOLK, CB8 9RG,
UNITED KINGDOM.

TEL: +44 (0)1638 731888
FAX: +44 (0)1638 731999

E-Mail: sales@european-antennas.co.uk
Website: www.european-antennas.co.uk