



# EUROPEAN ANTENNAS

Excellence through design  
Creative in concept

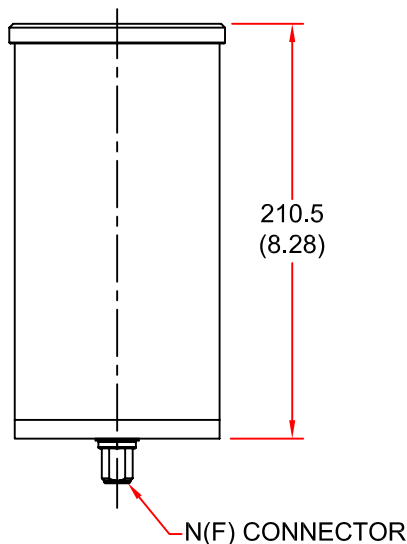


## CIRCULAR POLARISED OMNI ANTENNA

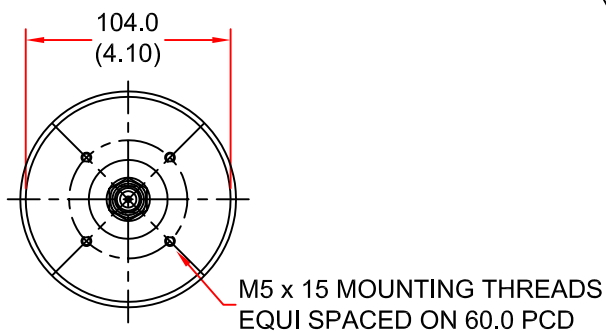
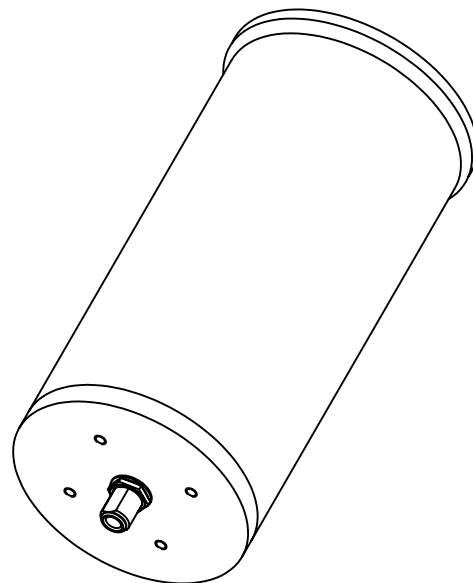
MODEL: RCO5-2400-MO2/671

FREQUENCY:	2.3 - 2.5 GHz	GAIN:	4 dBiC Nominal
POLARISATION:	Circular (RHC)	BEAMWIDTH:	360° x 50°
AXIAL RATIO:	2-3dB Typical	VSWR:	1.5:1
POWER RATING:	30W	FRONT TO BACK:	N/A
TEMPERATURE:	-20°C to +50°C	MASS:	880g/1.9lbs
FINISH:	Gloss White	WIND LOADING:	3.56Kg/7.83lbs @ 100mph

SIDE VIEW



ISOMETRIC VIEW



END VIEW

DIMENSIONS: mm (inches)

GA 671 - 2 Issued 200201

EUROPEAN ANTENNAS LTD.

LAMBDA HOUSE, CHEVELEY,  
NEWMARKET, SUFFOLK, CB8 9RG,  
UNITED KINGDOM.

TEL: +44 (0)1638 731888  
FAX: +44 (0)1638 731999

E-Mail: [sales@european-antennas.co.uk](mailto:sales@european-antennas.co.uk)  
Website: [www.european-antennas.co.uk](http://www.european-antennas.co.uk)