



EUROPEAN ANTENNAS

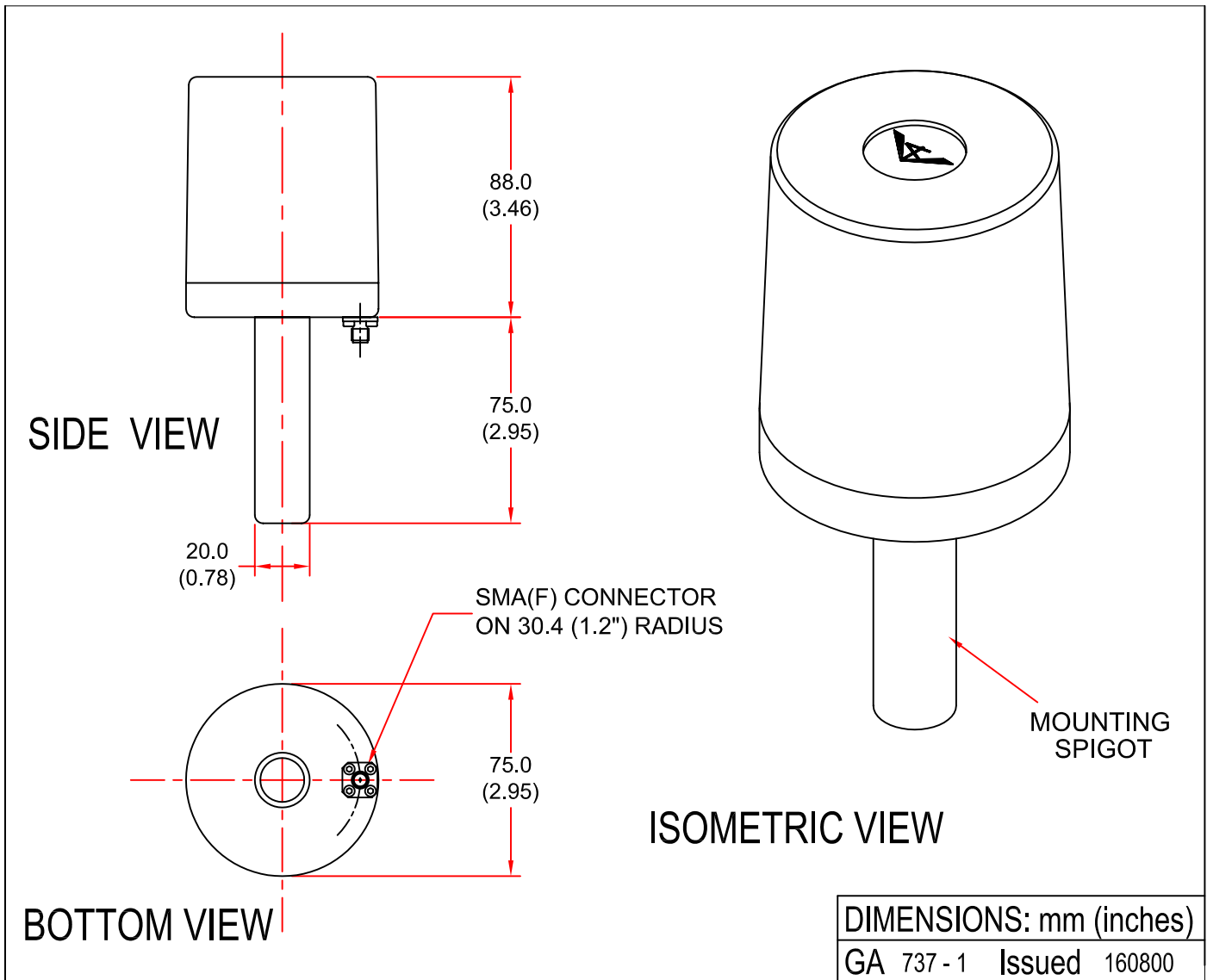
Excellence through design
Creative in concept



CIRCULAR POLARISED ANTENNA

MODEL: LCO3-2460-502/737

FREQUENCY:	2.34 - 2.46 GHz	GAIN:	3 dBiC
POLARISATION:	Left Hand Circular	BEAMWIDTH:	360° (Azimuth) x 70° (Elevation)
AXIAL RATIO:	3 dB Typical	VSWR:	1.5:1
POWER RATING:	10 W	FRONT TO BACK:	N/A
TEMPERATURE:	-20°C to +50°C	MASS:	250 g / 0.55 lbs
RADOME:	Matt Beige Polypropylene	WIND LOADING:	1.1 Kg / 2.35 lbs @100 mph



EUROPEAN ANTENNAS LTD.

LAMBDA HOUSE, CHEVELEY,
NEWMARKET, SUFFOLK, CB8 9RG,
UNITED KINGDOM.

TEL: +44 (0)1638 731888
FAX: +44 (0)1638 731999

E-Mail: sales@european-antennas.co.uk
Website: www.european-antennas.co.uk