



EUROPEAN ANTENNAS

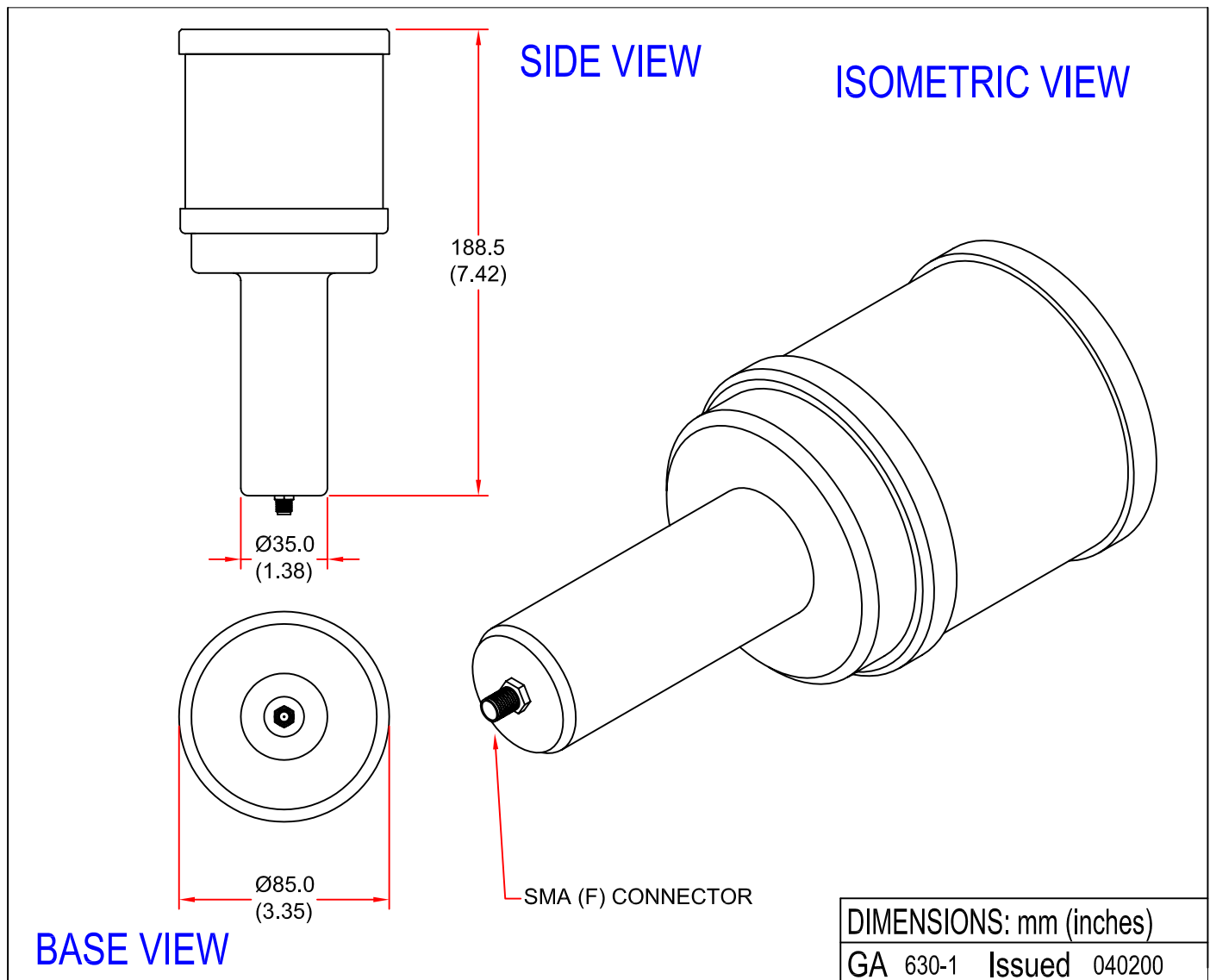
Excellence through design
Creative in concept



CIRCULARLY POLARISED OMNI ANTENNA

MODEL: RC04-1020-D2/630

FREQUENCY:	9.4-11.0 GHz	GAIN:	4dBic
POLARISATION:	Circular (RHC)	BEAMWIDTH:	360° x 50°
AXIAL RATIO:	3dB Typical	VSWR:	1.5:1 Typical
POWER RATING:	10W	FRONT TO BACK:	N/A
TEMPERATURE:	-20°C to +50°C	MASS:	320g/0.7lbs
FINISH:	Matt Black	WIND LOADING:	1.55Kg/3.43lbs @ 100mph



EUROPEAN ANTENNAS LTD.

LAMBDA HOUSE, CHEVELEY,
NEWMARKET, SUFFOLK, CB8 9RG,
UNITED KINGDOM.

TEL: +44 (0)1638 731888
FAX: +44 (0)1638 731999

E-Mail: sales@european-antennas.co.uk
Website: www.european-antennas.co.uk