



# EUROPEAN ANTENNAS

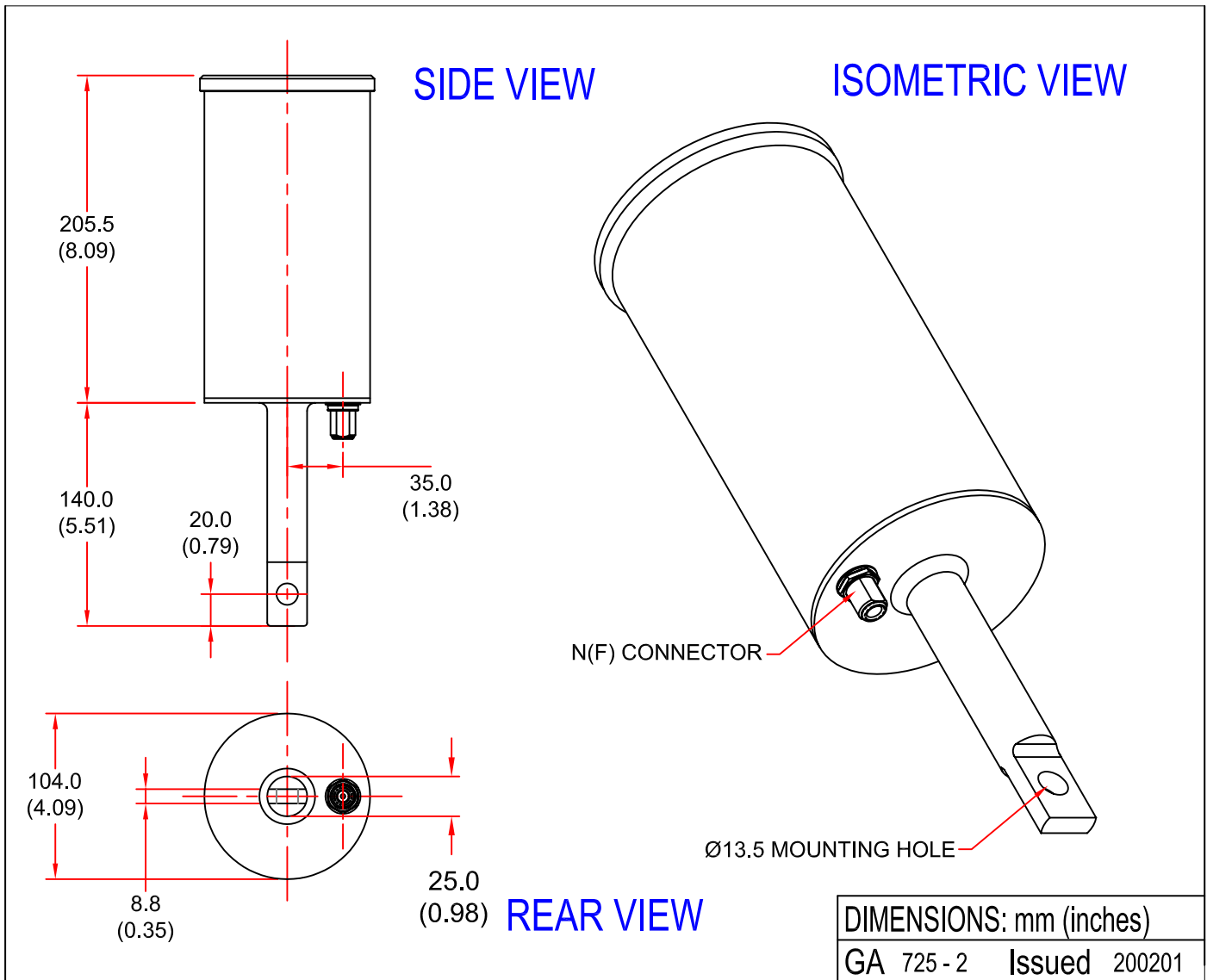
Excellence through design  
Creative in concept



## CIRCULAR POLARISED OMNI ANTENNA

MODEL: RCO5-2450/725

FREQUENCY:	2.40 - 2.55 GHz	GAIN:	5 dBiC
POLARISATION:	Circular (R.H.C)	BEAMWIDTH:	360° x 40°
AXIAL RATIO:	2 dB Typical	VSWR:	1.5:1
POWER RATING:	10 W	FRONT TO BACK:	N/A
TEMPERATURE:	-20°C to +50°C	MASS:	0.8 Kg / 1.76 lbs
FINISH:	Matt Black	WIND LOADING:	4.0 Kg / 8.8 lbs @ 100 mph



EUROPEAN ANTENNAS LTD.

TEL: +44 (0)1638 731888  
FAX: +44 (0)1638 731999

LAMBDA HOUSE, CHEVELEY,  
NEWMARKET, SUFFOLK, CB8 9RG,  
UNITED KINGDOM.

E-Mail: sales@european-antennas.co.uk  
Website: www.european-antennas.co.uk