



EUROPEAN ANTENNAS

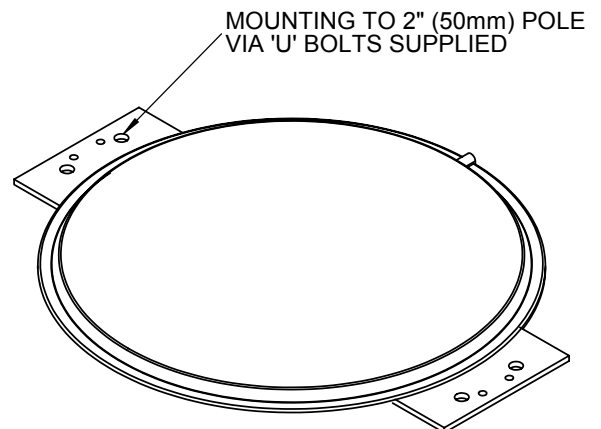
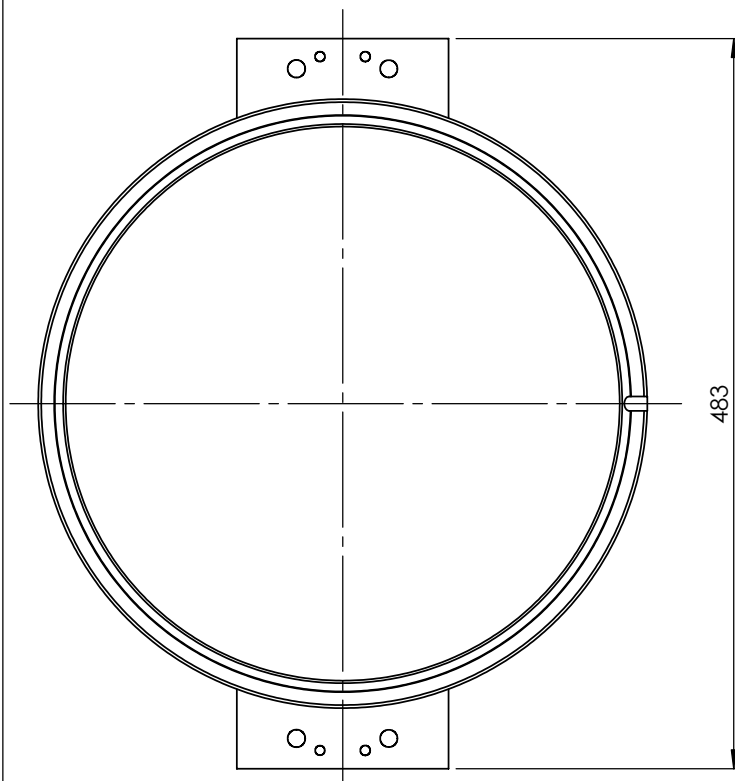
Excellence through design
Creative in concept

FLAT PANEL ANTENNA

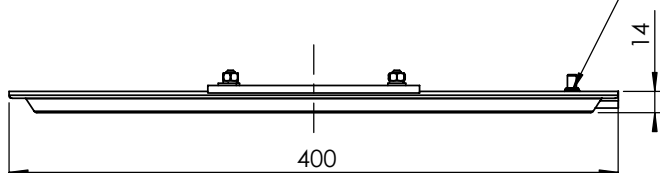
MODEL: FPA19-2460R-SMA/790

FREQUENCY:	2.4 - 2.5 GHz	GAIN:	17.6 dBi Typ
POLARISATION:	Circular (RHC)	BEAMWIDTH:	20° (Az) x 19° (El) Approx
CROSS POLAR	20 dB Nom	VSWR:	1.5:1
POWER RATING:	20 W	FRONT TO BACK:	> 38 dB
TEMPERATURE:	-30° to +55°C	MASS:	1.6 Kg / 3.52 lbs
FINISH:	White Polymer, Alorcom 1200	WIND LOADING:	20.38 Kg / 44.8 lbs @ 100 mph

FRONT VIEW



SMA (F) CONNECTOR



ISOMETRIC VIEW

END VIEW

DIMENSIONS: mm (inches)

GA: 790-1 Issued:120201

EUROPEAN ANTENNAS LTD.

Tel: +44 (0)1638 731888
Fax: +44 (0)1638 731999

LAMBDA HOUSE, CHEVELEY
NEWMARKET, SUFFOLK, CB8 9RG,
UNITED KINGDOM

E-Mail: sales@european-antennas.co.uk
Website: www.european-antennas.co.uk

European Antennas Ltd. has a policy of continuous development and therefore stress that the data contained on this sheet should be used for guidance only.