

# SA19-40-5775R/473

**COBHAM**

## Sector Antenna

The most important thing we build is trust

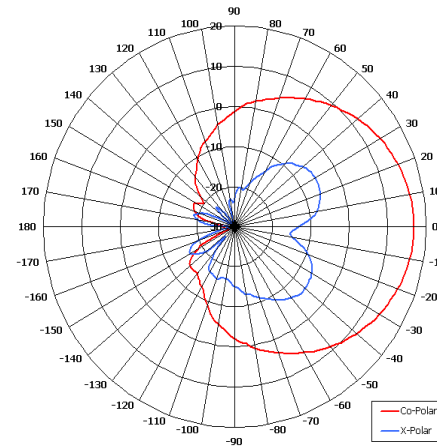
Designed for WLAN Applications

High Gain

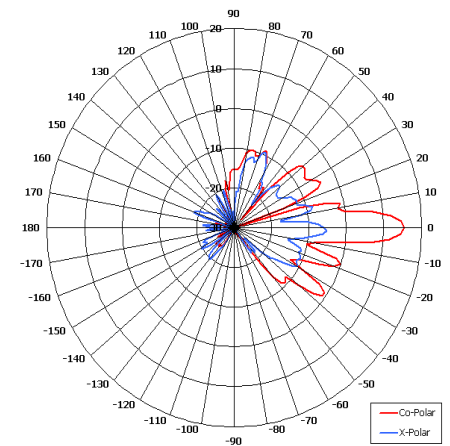
Right Hand Circular Polarised

Low Profile

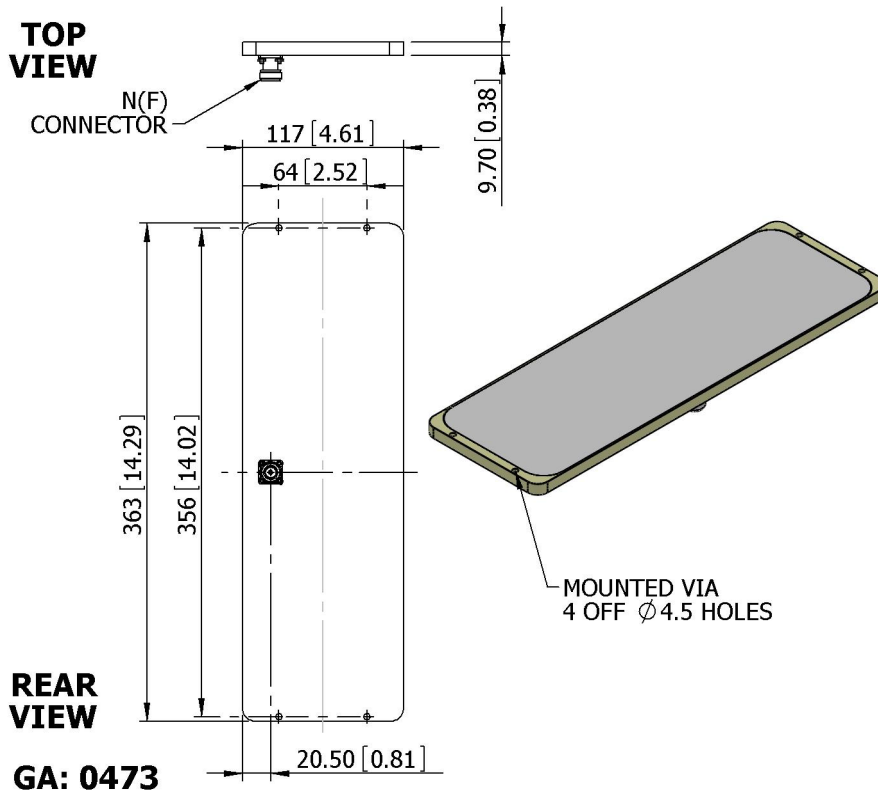
Suitable for Outdoor Applications



Azimuth Pattern



Elevation Pattern



### ELECTRICAL

Frequency	5.65 - 5.95 GHz
Gain	18 dBiC Nom
Polarisation	Right Hand Circular
Beamwidth	40° (Az) x 10° (El) Approx
Axial Ratio	3 dB Typ
VSWR	1.5:1 Max
Power Rating	5 W
Front to Back	25 dB

### MECHANICAL

Standard Finish	Gloss White Radome
Mass	1 Kg (2.2 lbs)
Temperature	-20° to +50°C
Wind Loading	6.8 Kg (15 lbs) @ 100mph

### MOUNTING OPTIONS

Kits Available	N/A
See separate data sheets	

### ADDITIONAL NOTES

Issued 070111

European Antennas Limited trading as Cobham Antenna Systems, Microwave Antennas

European Antennas Limited has a policy of continuous development and stress that the information provided is a guide only and does not constitute an offer or contract or part thereof. Whilst every effort is made to ensure the accuracy of the information contained in this brochure, no responsibility can be accepted for any errors or omissions.

The copyright of antenna designs and images is copyright protected and owned by European Antennas Limited.  
©European Antennas Limited

For further information please contact:

Cobham Antenna Systems, Microwave Antennas

Lambda House, Cheveley,

Newmarket, Suffolk CB8 9RG, UK.

Tel +44 (0)1638 732 177

Fax +44 (0) 1638 731999

Email [newmarket.sales@cobham.com](mailto:newmarket.sales@cobham.com)