

# EVD2-415/552

**COBHAM**

## Rugged Omni Antenna

The most important thing we build is trust

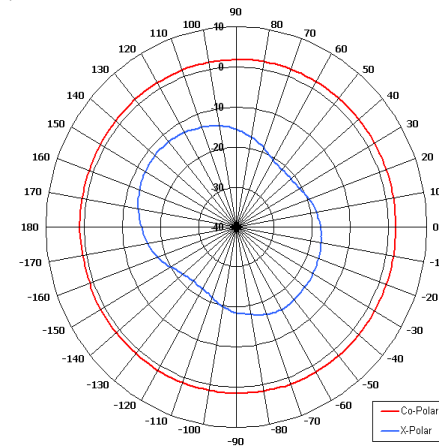
Designed for Multiple Applications

Suitable for Outdoor Applications

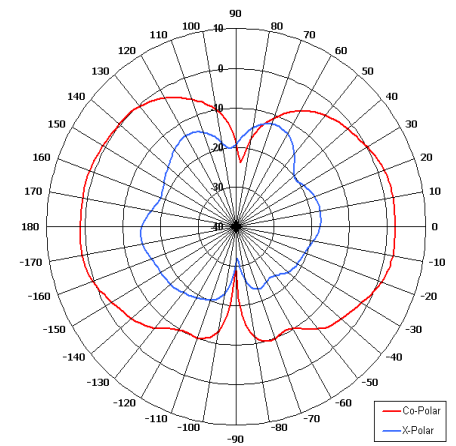
Rugged

Colour Options

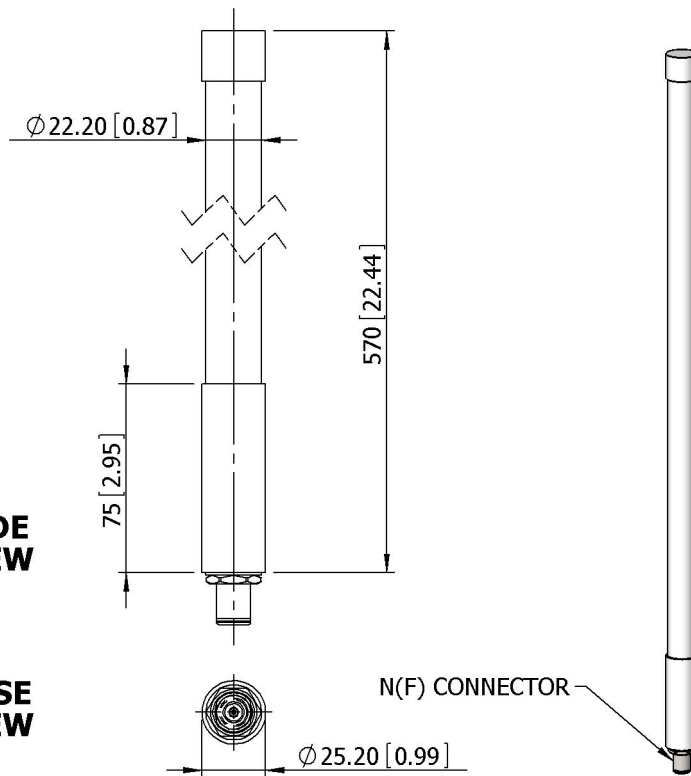
Grond Plane Independent



Azimuth Pattern



Elevation Pattern



**SIDE VIEW**

**BASE VIEW**

**GA: 0552**

### ELECTRICAL

Frequency	406 - 424 MHz
Gain	2 dBi Nom
Polarisation	Linear (Vertical)
Beamwidth	360° (Az) x 110° (El) Approx
Cross Polar	15 dB Typ
VSWR	2:1 Max
Power Rating	10 W
Front to Back	N/A

### MECHANICAL

Standard Finish	Gloss White
Mass	0.23 Kg (0.51 lbs)
Temperature	-20° to +50°C
Wind Loading	1.9 Kg (4.1lbs) @ 100mph

### MOUNTING OPTIONS

Kits Available	MK 3254
See separate data sheets	

### ADDITIONAL NOTES

Issued 080410

European Antennas Limited trading as Cobham Antenna Systems, Microwave Antennas

European Antennas Limited has a policy of continuous development and stress that the information provided is a guide only and does not constitute an offer or contract or part thereof. Whilst every effort is made to ensure the accuracy of the information contained in this brochure, no responsibility can be accepted for any errors or omissions.

The copyright of antenna designs and images is copyright protected and owned by European Antennas Limited.  
©European Antennas Limited

For further information please contact:

Cobham Antenna Systems, Microwave Antennas

Lambda House, Cheveley,

Newmarket, Suffolk CB8 9RG, UK.

Tel +44 (0)1638 732 177

Fax +44 (0) 1638 731999

Email [newmarket.sales@cobham.com](mailto:newmarket.sales@cobham.com)