

# DS03-2460-502/510

**COBHAM**

## Diversity Antenna

The most important thing we build is trust

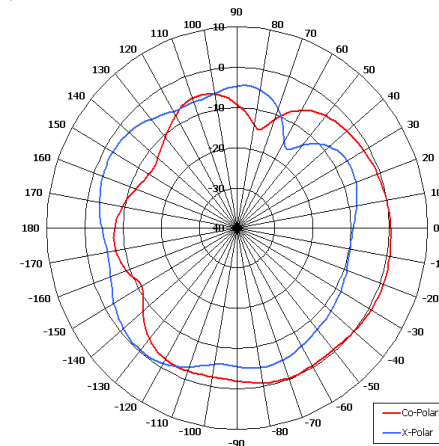
Designed for WLAN Applications

Pattern - Omni Directional

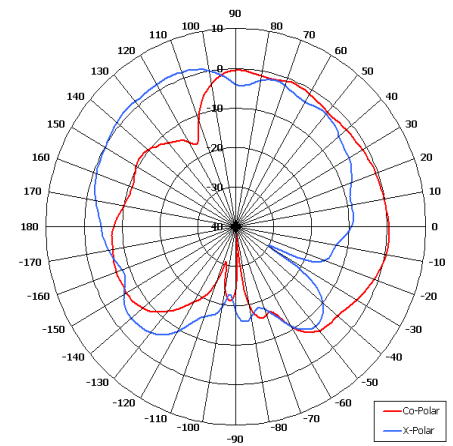
Dual Slant Polarisation

Aesthetic Design

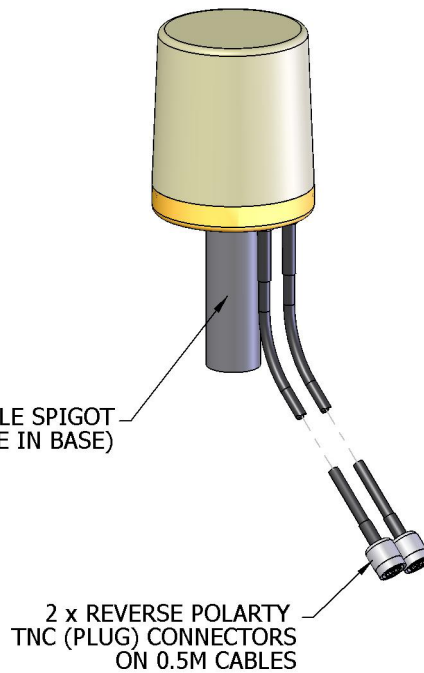
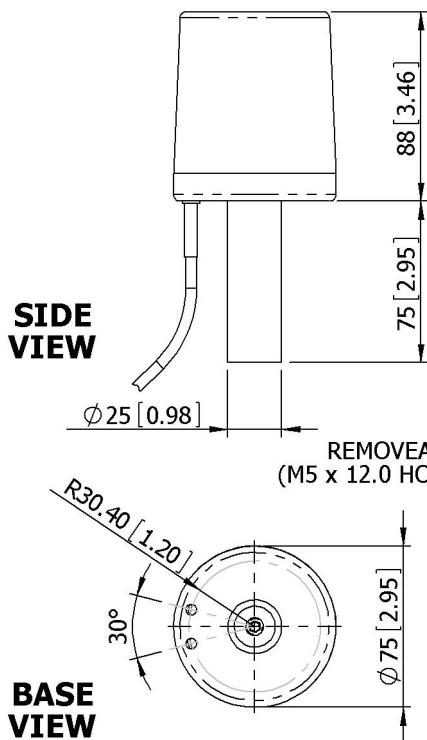
Simple Installation



Azimuth Pattern



Elevation Pattern



### ELECTRICAL

Frequency	2.40 - 2.50 GHz
Gain	1.5 dBi Nom (including cable loss)
Polarisation	Dual Slant +/-45°
Beamwidth	360° (Az) x 90° (El) Approx (both inputs)
Isolation	20 dB
VSWR	2:1 Max

### MECHANICAL

Standard Finish	Beige
Mass	350 g (12.5 oz)
Temperature	-20° to +50°C

### MOUNTING OPTIONS

Kits Available	N/A
See separate data sheets	

### ADDITIONAL NOTES

**GA: 0510**

Issued 141010

European Antennas Limited trading as Cobham Antenna Systems, Microwave Antennas

European Antennas Limited has a policy of continuous development and stress that the information provided is a guide only and does not constitute an offer or contract or part thereof. Whilst every effort is made to ensure the accuracy of the information contained in this brochure, no responsibility can be accepted for any errors or omissions.

The copyright of antenna designs and images is copyright protected and owned by European Antennas Limited.  
©European Antennas Limited

For further information please contact:

Cobham Antenna Systems, Microwave Antennas  
Lambda House, Cheveley,  
Newmarket, Suffolk CB8 9RG, UK.  
Tel +44 (0)1638 732 177  
Fax +44 (0) 1638 731999  
Email [newmarket.sales@cobham.com](mailto:newmarket.sales@cobham.com)