

FPA17-79V/482

COBHAM

Directional Antenna

The most important thing we build is trust

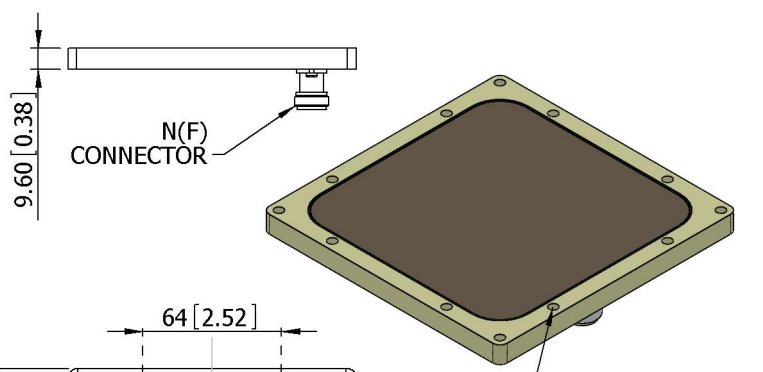
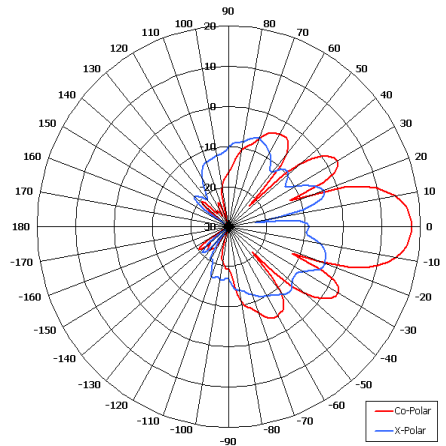
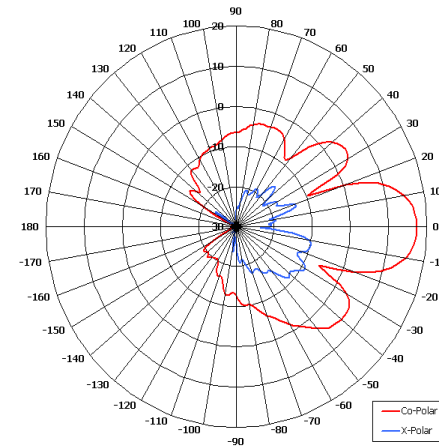
Designed for Broadcast Applications

High Frequency

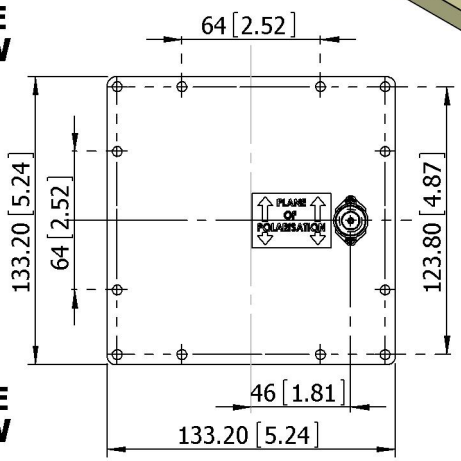
High Gain

Low Profile

Compact



SIDE VIEW



BASE VIEW

GA: 0482

ELECTRICAL

Frequency	7.80 - 8.00 GHz
Gain	17.0 - 17.5 dBi Nom
Polarisation	Linear (Vertical)
Beamwidth	20° (Az) x 20° (El) Approx
Cross Polar	20 dB
VSWR	1.5:1
Power Rating	5 W
Front to Back	>40 dB

MECHANICAL

Standard Finish	Dark Grey Radome Alocrom Housing
Mass	0.38 Kg (0.9 lbs)
Temperature	-20° to +50° C
Wind Loading	2.8 Kg (6.0 lbs) @ 100 mph

MOUNTING OPTIONS

Kits Available	N/A
See separate data sheets	

ADDITIONAL NOTES

Issued 101210

European Antennas Limited trading as Cobham Antenna Systems, Microwave Antennas

European Antennas Limited has a policy of continuous development and stress that the information provided is a guide only and does not constitute an offer or contract or part thereof. Whilst every effort is made to ensure the accuracy of the information contained in this brochure, no responsibility can be accepted for any errors or omissions.

The copyright of antenna designs and images is copyright protected and owned by European Antennas Limited.
©European Antennas Limited

For further information please contact:

Cobham Antenna Systems, Microwave Antennas
 Lambda House, Cheveley,
 Newmarket, Suffolk CB8 9RG, UK.
 Tel +44 (0)1638 732 177
 Fax +44 (0) 1638 731999
 Email newmarket.sales@cobham.com