

FPA13-2450-D1/534

COBHAM

Directional Antenna

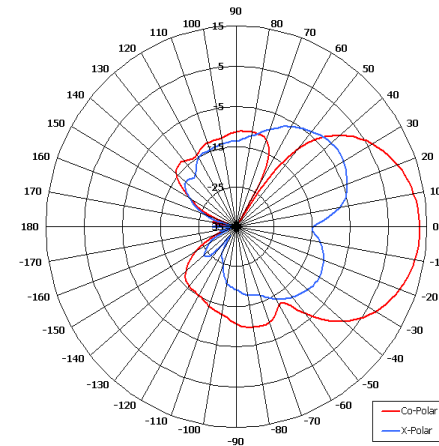
The most important thing we build is trust

Designed for WLAN Applications

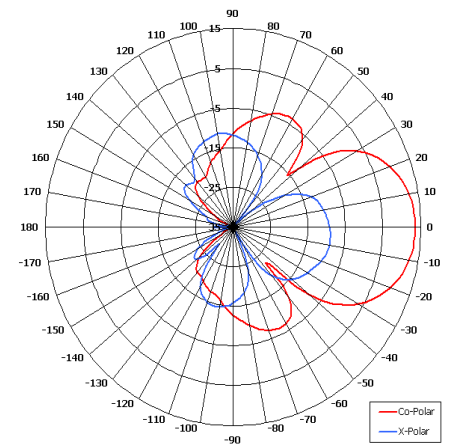
Heavy Duty

Suitable for Outdoor Applications

Compact



Azimuth Pattern



Elevation Pattern

ELECTRICAL

Frequency	2.30 - 2.45 GHz
Gain	13 dBi Nom
Polarisation	Linear (Vertical)
Beamwidth	40° (Az) x 40° (El) Approx
Cross Polar	20 dB
VSWR	1.5:1
Power Rating	20 W
Front to Back	25 dB Typ

MECHANICAL

Standard Finish	Matt Black
Mass	1.3 Kg (2.86 lbs)
Temperature	-20° to +50°C
Wind Loading	5.6 Kg (12.3 lbs) @ 100 mph

MOUNTING OPTIONS

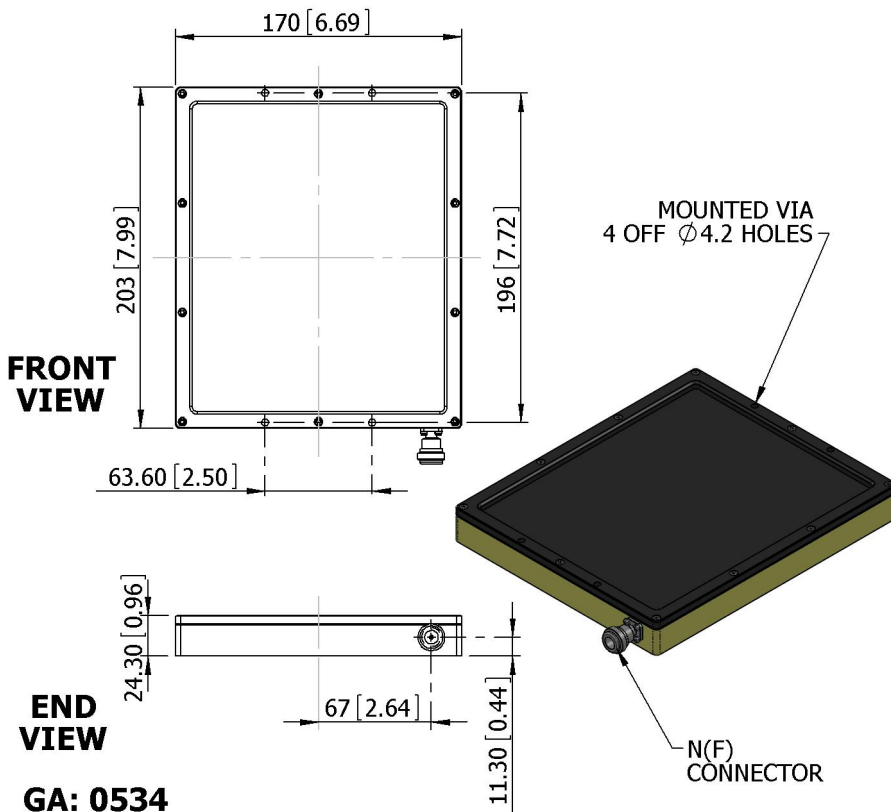
Kits Available	N/A
See separate data sheets	

ADDITIONAL NOTES

Issued 060111

For further information please contact:

Cobham Antenna Systems, Microwave Antennas
 Lambda House, Cheveley,
 Newmarket, Suffolk CB8 9RG, UK.
 Tel +44 (0)1638 732 177
 Fax +44 (0) 1638 731999
 Email antennasystems.ma@cobham.com



GA: 0534

European Antennas Limited trading as Cobham Antenna Systems, Microwave Antennas

European Antennas Limited has a policy of continuous development and stress that the information provided is a guide only and does not constitute an offer or contract or part thereof. Whilst every effort is made to ensure the accuracy of the information contained in this brochure, no responsibility can be accepted for any errors or omissions.

The copyright of antenna designs and images is copyright protected and owned by European Antennas Limited.
 ©European Antennas Limited