

GSM LOW PROFILE ANTENNA LPA7-900R/526



ELECTRICAL

FREQUENCY:	870 - 960 MHz
GAIN:	7 dBiC
POLARISATION:	Right Hand Circular
BEAMWIDTH:	80° (Az) x 80° (El)
AXIAL RATIO:	3 dB
VSWR:	1.5:1
POWER RATING:	10 W
FRONT TO BACK:	20 dB

MECHANICAL

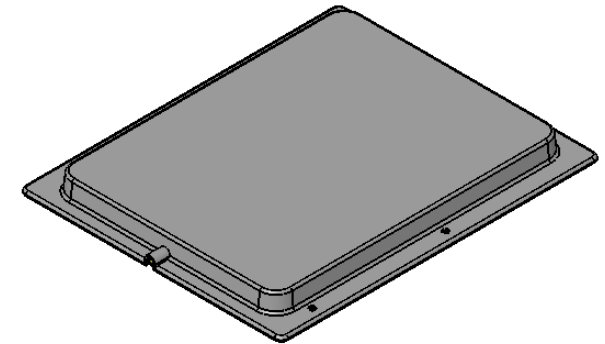
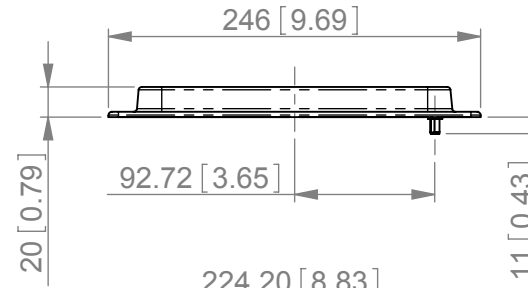
STANDARD FINISH:	Gloss White
MASS:	0.75 kg / 1.65 lbs
TEMPERATURE:	-20° to +50°C
WIND LOADING:	11.2 kg / 26.3 lbs @ 100 mph

MOUNTING OPTIONS

KITS AVAILABLE:	N/A
See Separate Data Sheets	

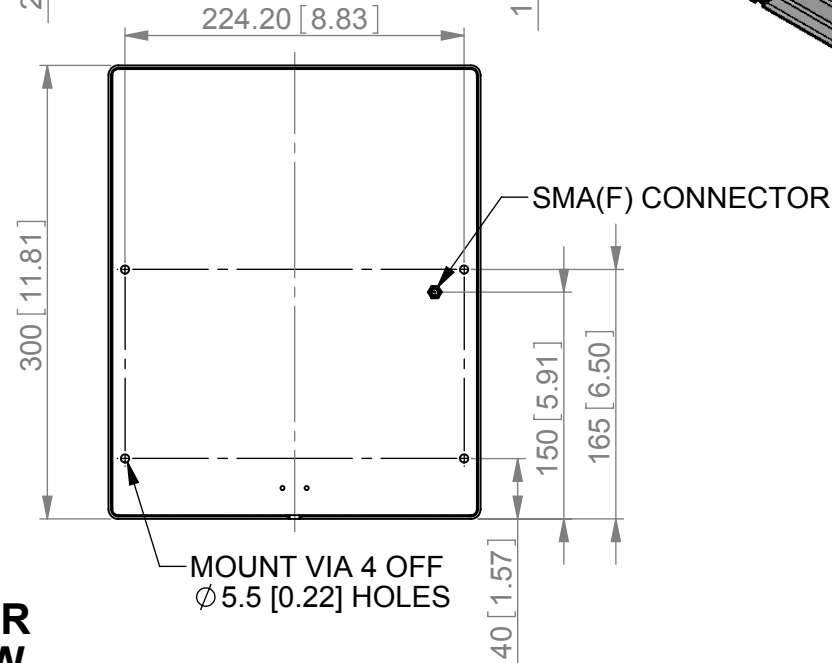
GA: 526-2 Issued: 280308
DIMENSIONS: mm [inches]

SIDE VIEW



ISOMETRIC VIEW

REAR VIEW



LPA7-900R/526

European Antennas Ltd. has a policy of continuous development and therefore stress that the data contained on this sheet should be used for guidance only.

European Antennas Ltd. is part of the Cobham Antennas Division



Certificate No 9268

European Antennas Ltd
Lambda House, Cheveley
Newmarket, Suffolk, CB8 9RG, UK
Tel: +44 (0)1638 731888
sales@european-antennas.co.uk
www.european-antennas.co.uk