



# EUROPEAN ANTENNAS

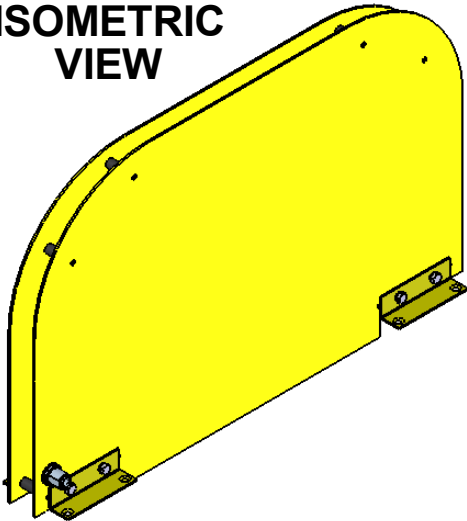
Excellence through design  
Creative in concept

## PLANAR ELLIPTICAL SPIRAL ANTENNA

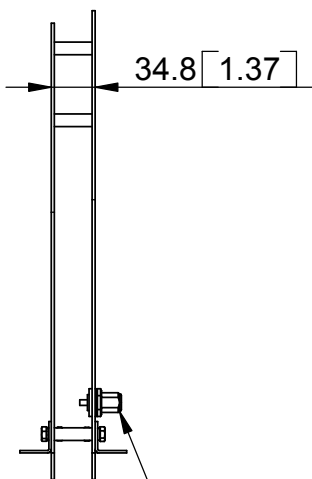
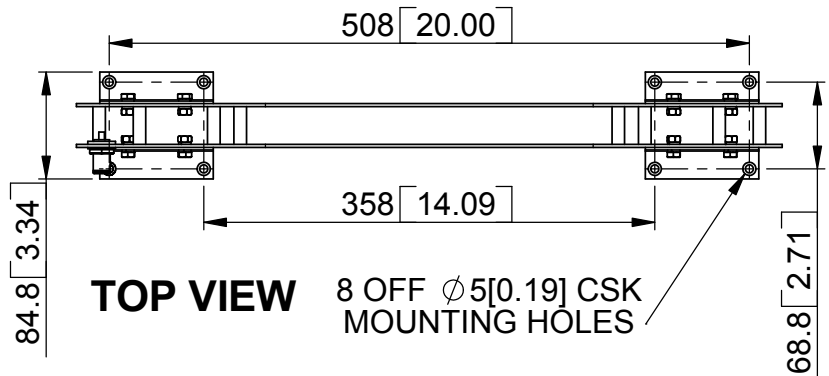
### MODEL: PES-200-1000-NC/581

<b>FREQUENCY:</b>	200 - 1000 MHz	<b>GAIN:</b>	2 dBi Typical
<b>POLARISATION:</b>	RHC & LHC	<b>VSWR:</b>	2.5:1 @ 300 - 1000 MHz
<b>POWER RATING:</b>	200 W		3.5:1 @ 200 - 300 MHz
<b>TEMPERATURE:</b>	-20° to +60°C	<b>MASS:</b>	2.3 Kg / 5.06 lbs

### ISOMETRIC VIEW

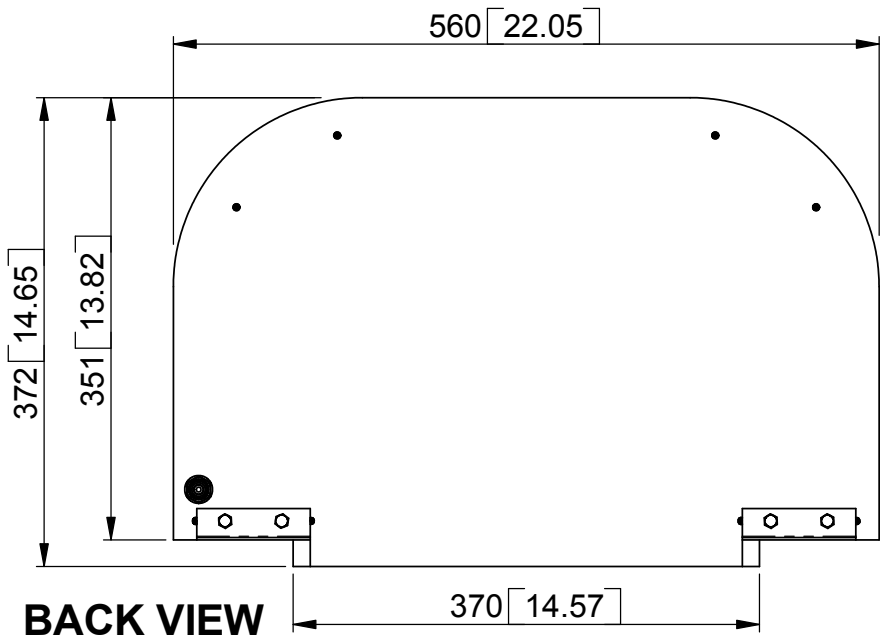


ANTENNA IS INTENDED FOR USE  
INSIDE AN EXTERNAL HOUSING.



### END VIEW

N(F) TYPE  
CONNECTOR



GA: 0581-3 | Issued: 160806 | DIMENSIONS: mm [inches] | L

EUROPEAN ANTENNAS LTD.  
LAMBDA HOUSE, CHEVELEY  
NEWMARKET, SUFFOLK, CB8 9RG,  
UNITED KINGDOM



Certificate No 9268

Tel: +44 (0)1638 731888  
Fax: +44 (0)1638 731999  
E-Mail: sales@european-antennas.co.uk  
Website: www.european-antennas.co.uk