



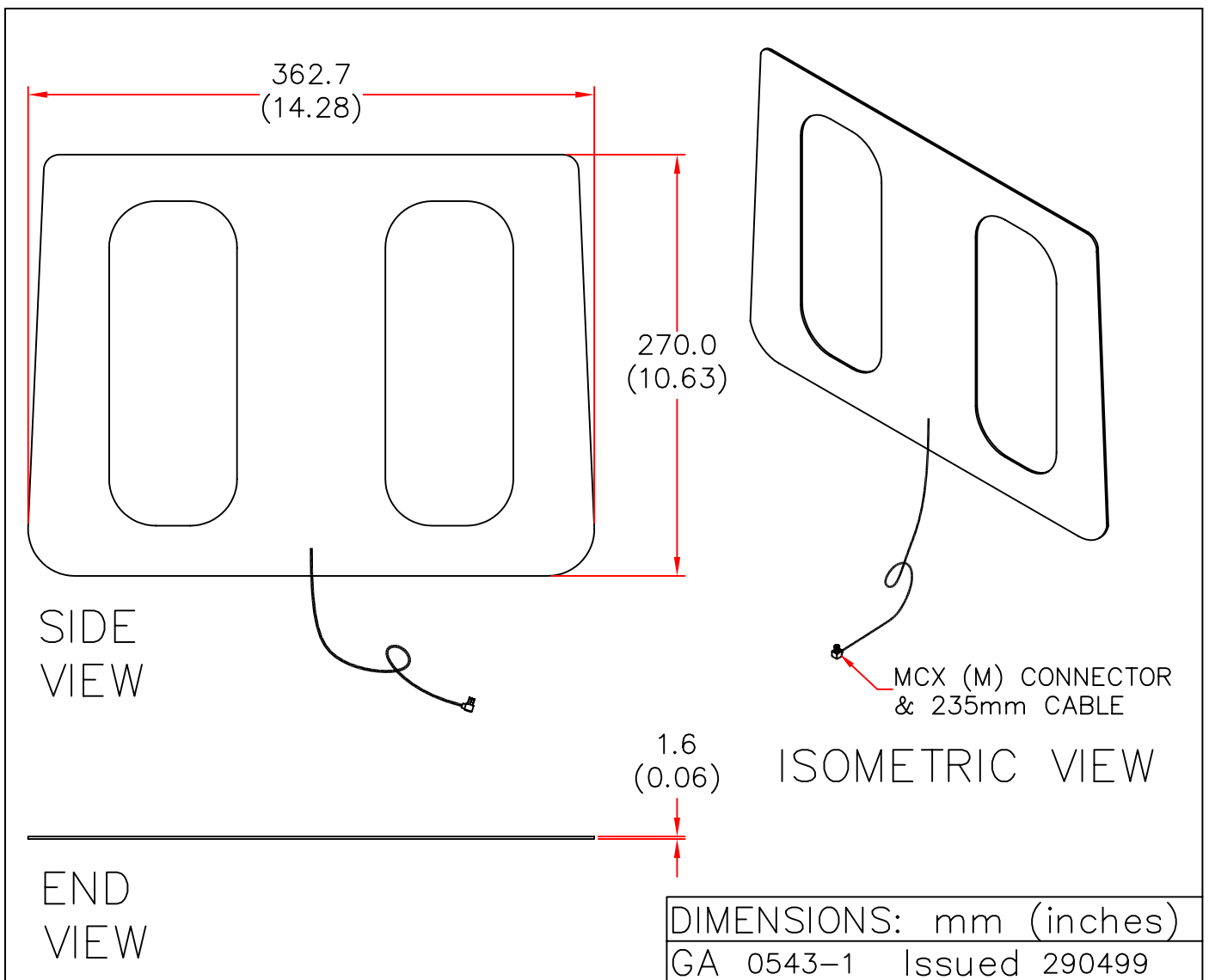
# EUROPEAN ANTENNAS



## FOLDED DIPOLE ANTENNA

MODEL: FDA-138/543

FREQUENCY: 137-138MHz	GAIN: 0 dBi Typical
POLARISATION: Linear	BEAMWIDTH: N/A
AXIAL RATIO: N/A	VSWR: 2:1
POWER RATING: 7W	FRONT TO BACK: N/A
TEMPERATURE: -30°C to +55°C	MASS: 200g/0.44lbs
FINISH: Matt Black	WIND LOADING: 10.4Kg/22.8lbs @ 100 mph



EUROPEAN ANTENNAS LTD.

TEL: +44 (0)1638 731888

LAMBDA HOUSE, CHEVELEY,  
NEWMARKET, SUFFOLK, CB8 9RG,  
UNITED KINGDOM.

FAX: +44 (0)1638 731999

European Antennas Ltd. has a policy of continuous development and therefore stress that the data contained on this sheet should be used for guidance only.