



EUROPEAN ANTENNAS

Excellence through design
Creative in concept

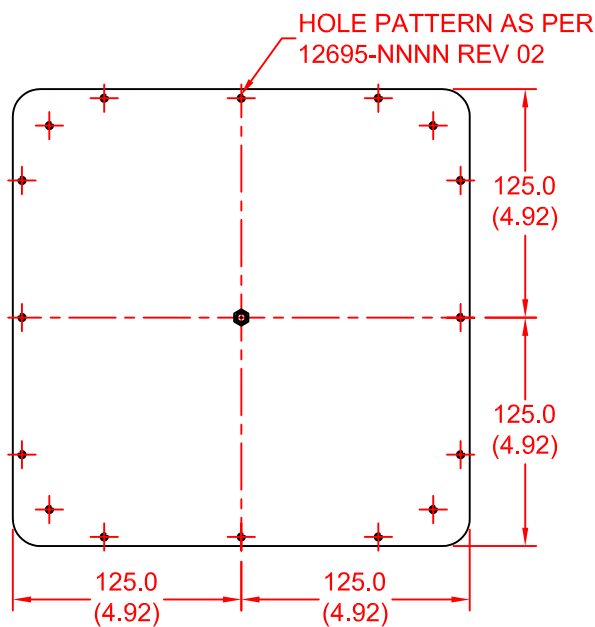
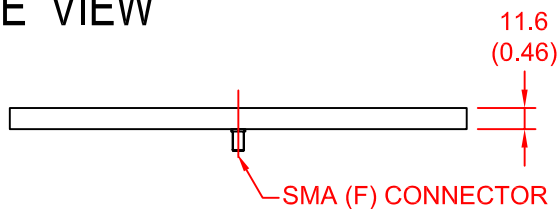


SECTOR ANTENNA

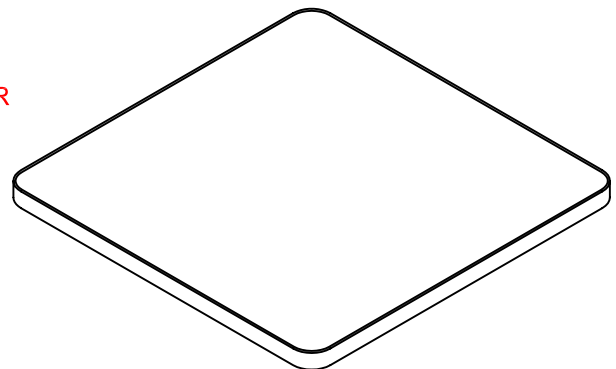
MODEL: SA17-30-104H/572

FREQUENCY:	10.15 - 10.65 GHz	GAIN:	18 dBi Nominal
POLARISATION:	Linear (Horizontal)	BEAMWIDTH:	30° (Az) x 12° (Ei)
CROSS POLAR:	20 dB Min	VSWR:	1.74:1 (10dB Return Loss)
POWER RATING:	10 W	FRONT TO BACK:	> 30dB
TEMPERATURE:	-35°C to +75°C (Operational)	MASS:	1.2 Kg / 2.64 lbs
ANTENNA COLUR: Grey RAL 7040 Smooth Semi-gloss			
ANTENNA/RADIO INTERFACE SURFACE: Chemical Film per Mil-C-Std 5541 Class 1, yellow.			

SIDE VIEW



REAR VIEW



ISOMETRIC VIEW

DIMENSIONS: mm (inches)

GA 572-2 Issued 130301

EUROPEAN ANTENNAS LTD.

TEL: +44 (0)1638 731888

FAX: +44 (0)1638 731999

LAMBDA HOUSE, CHEVELEY,
NEWMARKET, SUFFOLK, CB8 9RG,
UNITED KINGDOM.

E-Mail: sales@european-antennas.co.uk

Website: www.european-antennas.co.uk

European Antennas Ltd. has a policy of continuous development and therefore stress that the data contained on this sheet should be used for guidance only.