



EUROPEAN ANTENNAS

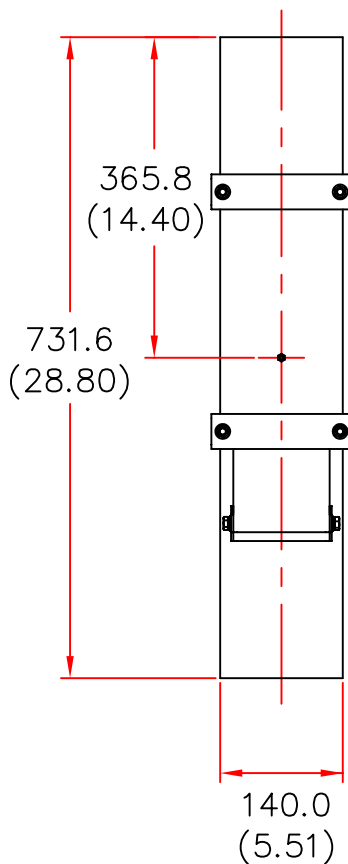


SECTOR ANTENNA

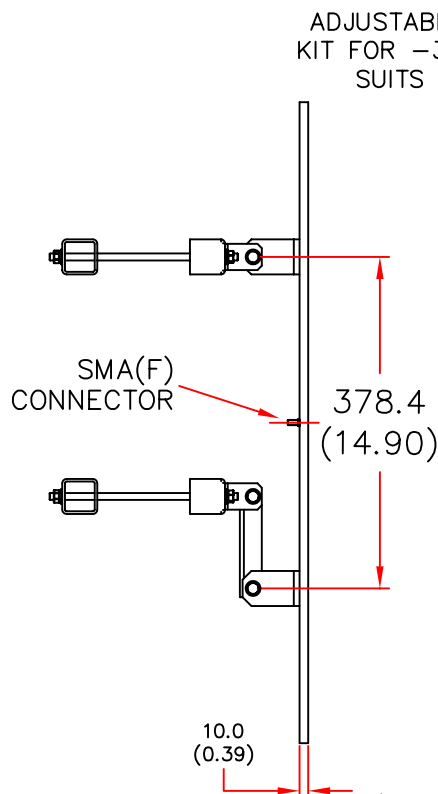
MODEL: SA16-23R/513

FREQUENCY: 2.3-2.4 GHz	GAIN: 16dBiC Min
POLARISATION: R.H.Circular	BEAMWIDTH: 60° x 10°
AXIAL RATIO: 3dB Typical	VSWR: 2.0 :1
POWER RATING: 15W	FRONT TO BACK: 30dB
TEMPERATURE: -20°C to +35°C	MASS: 1.8Kg (Excluding Brackets)
RADOME: Glass Fibre/White Marine Finish	WIND LOADING: 17.2Kg/37.9lbs @ 100mph

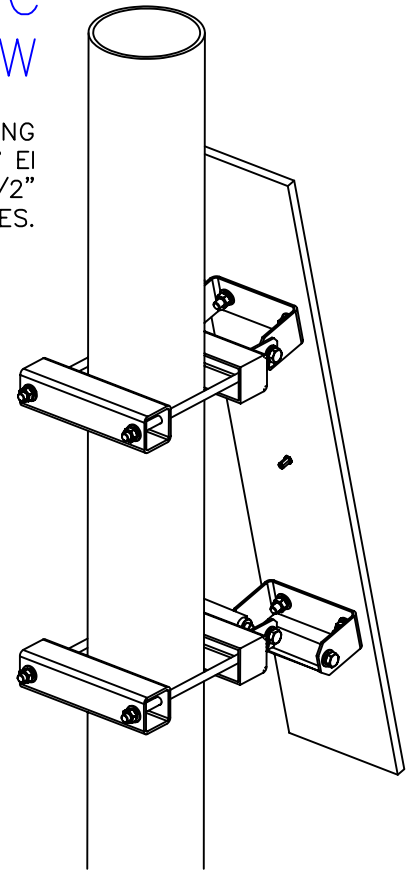
BACK
VIEW



SIDE
VIEW



ISOMETRIC
VIEW



(SHOWN INCLUDING
OPTIONAL MOUNTING KIT)

DIMENSIONS: mm (inches)

GA 513-2 Issued 310801

EUROPEAN ANTENNAS LTD.

TEL: +44 (0)1638 731888

LAMBDA HOUSE, CHEVELEY,
NEWMARKET, SUFFOLK, CB8 9RG,
UNITED KINGDOM.

FAX: +44 (0)1638 731999

European Antennas Ltd. has a policy of continuous development and therefore stress that the data contained on this sheet should be used for guidance only.