



# EUROPEAN ANTENNAS

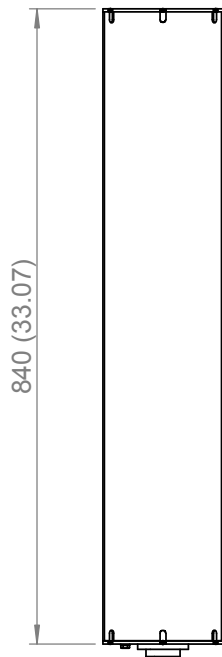
Excellence through design  
Creative in concept

## BASE STATION SECTOR ANTENNA

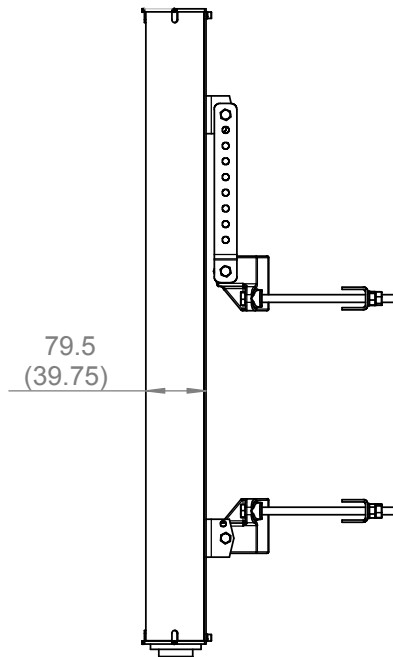
### MODEL: SA17-60V-35B-D1/508

<b>FREQUENCY:</b>	3.40 - 3.60 GHz	<b>GAIN:</b>	16 dBi Peak & >13 dBi over 60°
<b>POLARISATION:</b>	Linear (Vertical)	<b>BEAMWIDTH:</b>	60° (Az.) x 7° (El.) Approx.
<b>CROSS POLAR:</b>	20 dB Typical	<b>VSWR:</b>	1.5 : 1 Max.
<b>POWER RATING:</b>	50 W	<b>FRONT TO BACK:</b>	30 dB Typical
<b>TEMPERATURE:</b>	-40° to +60°C	<b>MASS:</b>	7 Kg / 15.4 lbs (Inc. Mtg. Kit)
<b>RADOME:</b>	Gloss Grey - Glass Fibre	<b>WIND LOADING:</b>	21.7 Kg/47.7 lbs @ 100 mph
<b>VRP:</b>	First Null Fill > -15 dB	<b>ELECTRICAL DOWN TILT:</b>	2°

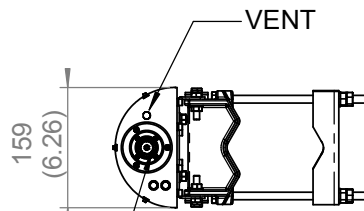
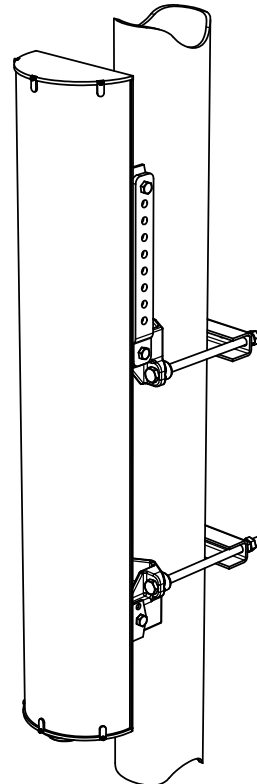
### FRONT VIEW



### SIDE VIEW



### PICTORIAL VIEW



7/16(F) CONNECTOR

### END VIEW

MOUNTING KIT (INCLUDED)  
ADJUSTABLE TO  
±21° IN ELEVATION  
& SUITS POLE SIZES  
40mm (1.6") TO 120mm (4.7")

**DIMENSIONS:** mm (inches) H

GA: 508-3 Issued: 070904

EUROPEAN ANTENNAS LTD.

Tel: +44 (0)1638 731888  
Fax: +44 (0)1638 731999

LAMBDA HOUSE, CHEVELEY  
NEWMARKET, SUFFOLK, CB8 9RG,  
UNITED KINGDOM

E-Mail: sales@european-antennas.co.uk  
Website: www.european-antennas.co.uk